

R454b Refrigerant

SUBMITTAL DATA SHEET



Series Name: Multi-Zone High Tier Extreme Heat With Shut-off Valve_All Non-Ducted
Model Number: [MO5HX-H36B-2A](#)

Multi Zone Heat Pump System

Location:	Approval:
Engineer:	Date:
Submitted to:	Construction:
Submitted by:	Unit #:
Reference:	Drawing #:



OUTDOOR SPECIFICATION

Compressor Type	TWIN-ROTARY	
Compressor Model	EKPQ420D1UMUA	
Refrigerant	R454B	
Refrigerant Oil Charge(mL)	1460	
Refrigerant Oil	VG75	
Outdoor Air Flow (Max) (CFM)	3,037.2	
Outdoor Noise Level (dBA)	65.0	
Dimension (W×D×H)	inch	38-5/8 x 16-5/16 x 38-3/8
	mm	980 x 415 x 975
Package (W×D×H)	inch	45-1/16 x 19-11/16 x 42-1/2
	mm	1,145 x 500 x 1,080
Net/Gross Weight	lbs	212 / 245
	kg	96.1 / 111

ELECTRICAL

Power Supply	208/230V,60Hz,1Ph
System MCA	37.0
Connection Wiring	AWG 14/4
System MOCP	40.0
Compressor RLA	20.5
Outdoor Fan Motor RLA	2.6
Outdoor Fan Motor W	250
Indoor Fan Motor RLA	/
Indoor Fan Motor W	/
System Power Input @ Cooling (W)	2,770 (600 ~ 4,000)
System Power Input @ Heating (W)	2,640 (600 ~ 3,750)
MCA: Min. circuit amps (A)	MOCP: Max. over current protection (A)
RLA: Rated load amps (A)	W: Fan motor rated output (W)

EFFICIENCY

Cooling		Heating	
SEER2	23.0	HSPF2-4	10.7
EER2	13	COP	4.0

PERFORMANCE of Cooling

Cooling (Btu/hr)	
Rated Capacity	36,000
Min/Max Capacity	9,000 ~ 43,000
Moisture Removal(L/h)	2
Standard Operating Range(°F/°C)	-22~-122 (-30~50)
Rated Cooling Conditions:	Indoor: 80°F DB/67°F WB Outdoor: 95°F DB/75°F WB

PERFORMANCE of Heating

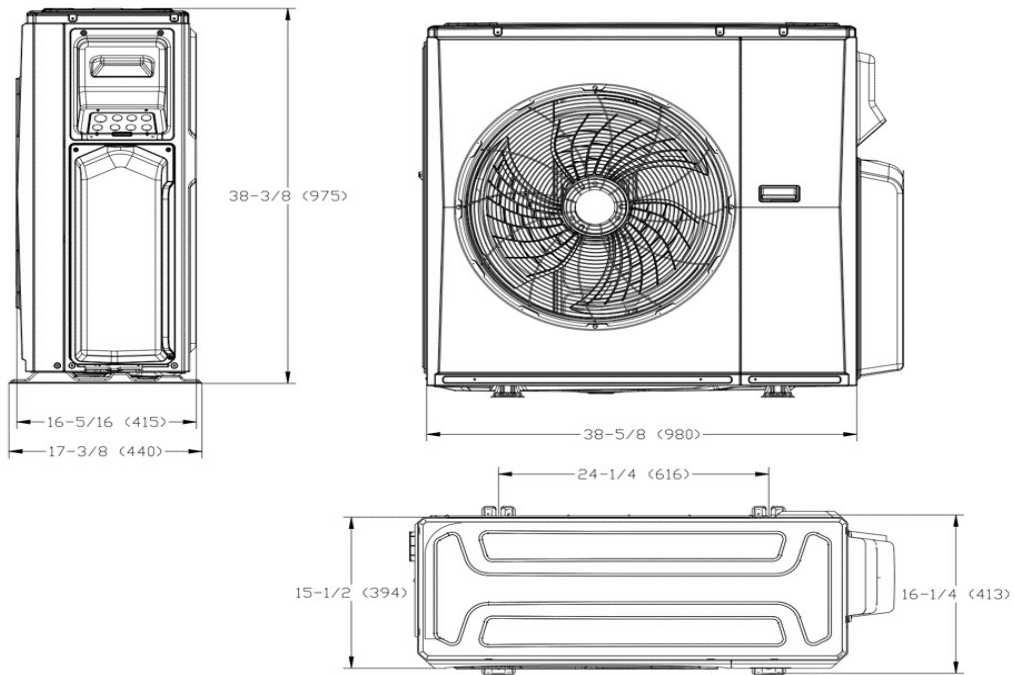
Heating (Btu/hr)	
1. @ 47°F Rated	36,000
1. @ 47°F Min/Max Capacity	10,000 ~ 44,000
2. @ 17°F Rated(H32)	30,000
3. @ 5°F Rated: Capacity / COP(H42)	36,000 / 2
3. @ 5°F Max: Capacity	36,000
Standard Operating Range(°F/°C)	-22~-75 (-30~24)
1. Conditions:	Indoor: 70°F DB/60°F WB Outdoor: 47°F DB/43°F WB
2. Conditions:	Indoor: 70°F DB/60°F WB Outdoor: 17°F DB/15°F WB
3. Conditions:	Indoor: 70°F DB/60°F WB Outdoor: 5°F DB/5°F WB

PIPING

Liquid Size	5 x 1/4" (5 x 6.35 mm)
Gas Size	3/8 x 3/8 x 1/2 x 1/2 (9.5 x 9.5 x 12.7 x 12.7 mm)
Max. Piping Length for all rooms(ft/m)	262 (80)
Max. Piping Length for one IDU(ft/m)	115 (35)
Max. Height Difference of IDU and ODU(ft/m)	49 (15)
Refrigerant Pre-charged Amount(oz/kg)	134 (3.8)
Refrigerant Precharge Length(ft/m)	25 (7.5) x 5
Additional Charge of Refrigerant (Φ6.35 (1/4") liquid pipe) ((oz/ft)/(g/m))	0.16 (15)
Additional Charge of Refrigerant (Φ9.52 (3/8") liquid pipe) ((oz/ft)/(g/m))	0.32 (30)
Connection Method	Flared

Outdoor Unit Dimension

Unit: inch (mm)



Installation Instruction

