

# R454b Refrigerant

# SUBMITTAL DATA SHEET



Series Name: Entry Tier - INFINI L Series  
Model Number: MSBNS-H12B-2A/MO1CS-H12B-2A

## High Wall Mini Split Heat Pump System

Location:	Approval:
Engineer:	Date:
Submitted to:	Construction:
Submitted by:	Unit #:
Reference:	Drawing #:



### INDOOR SPECIFICATION

<b>Indoor Air Flow (Turbo/H/M/L/Si) (CFM)</b>	347 / 294 / 194 / 153 / 153	
<b>Indoor Noise Level (Turbo/H/M/L/Si) (dBA)</b>	46 / 41 / 35 / 24 / 18.5	
<b>Dimension (W×D×H)</b>	inch	32-7/8 x 8-1/4 x 11-5/8
	mm	835 × 208 × 295
<b>Package (W×D×H)</b>	inch	34.45 x 11.22 x 14.96
	mm	875 × 285 × 380
<b>Net/Gross Weight</b>	lbs	19/25
	kg	8.6/11.4

### OUTDOOR SPECIFICATION

<b>Compressor Type</b>	ROTARY	
<b>Compressor Model</b>	KSN98D64UFZ3	
<b>Refrigerant</b>	R454B	
<b>Refrigerant Oil Charge(mL)</b>	300	
<b>Refrigerant Oil</b>	VG74	
<b>Outdoor Air Flow (Max) (CFM)</b>	1,235	
<b>Outdoor Noise Level (dBA)</b>	53.0	
<b>Dimension (W×D×H)</b>	inch	30-1/8 x 11-7/8 x 21-7/8
	mm	765 × 303 × 555
<b>Package (W×D×H)</b>	inch	34-7/8 x 13-1/4 x 24
	mm	887 × 337 × 610
<b>Net/Gross Weight</b>	lbs	59/64
	kg	26.8/29.2

### EFFICIENCY

Cooling		Heating	
<b>SEER2</b>	19.5	<b>HSPF2-4</b>	9.0
<b>EER2</b>	10.5	<b>COP</b>	3.4

### PERFORMANCE of Cooling

Cooling (Btu/hr)	
<b>Rated Capacity</b>	12,000
<b>Min/Max Capacity</b>	2,700 ~ 13,800
<b>Moisture Removal(L/h)</b>	1.4
<b>Standard Operating Range(°F/°C)</b>	-13~122 (-25~50)
Conditions:	Indoor: 80°F DB/67°F WB Outdoor: 95°F DB/75°F WB

### PERFORMANCE of Heating

Heating (Btu/hr)	
<b>1. @ 47°F Rated</b>	12,000
<b>1. @ 47°F Min/Max Capacity</b>	4,200 ~ 14,100
<b>2. @ 17°F Rated</b>	8,300
<b>3. @ 5°F Rated: Capacity / COP</b>	8,000 / 1.80
<b>3. @ 5°F Max: Capacity</b>	8,000
<b>Standard Operating Range(°F/°C)</b>	-13~75 (-25~24)
1. Conditions:	Indoor: 70°F DB/60°F WB Outdoor: 47°F DB/43°F WB
2. Conditions:	Indoor: 70°F DB/60°F WB Outdoor: 17°F DB/15°F WB
3. Conditions:	Indoor: 70°F DB/60°F WB Outdoor: 5°F DB/5°F WB

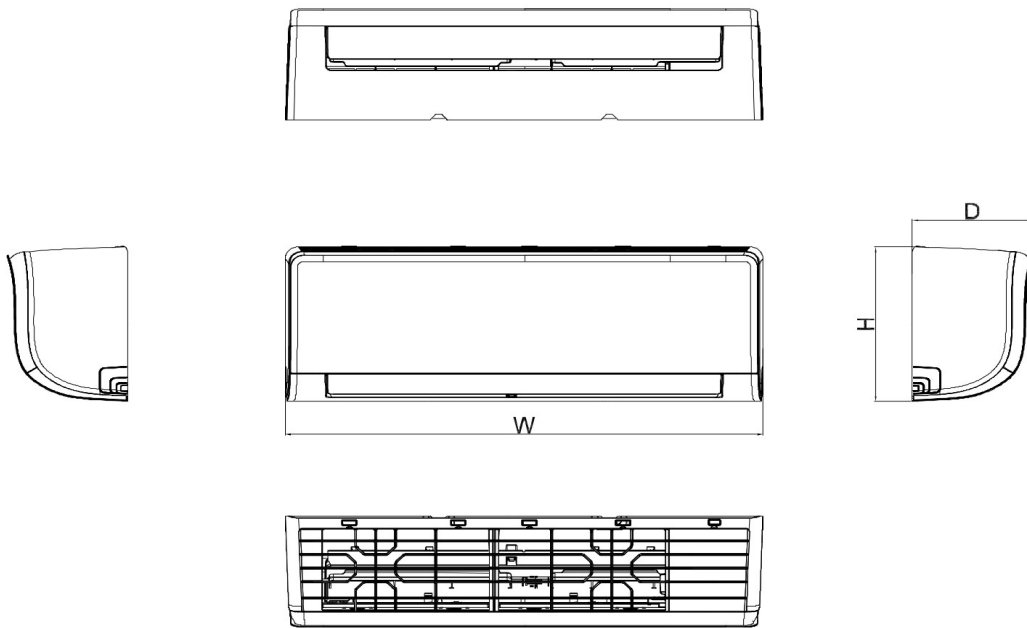
### ELECTRICAL

<b>Power Supply</b>	208/230V,60Hz,1Ph	
<b>System MCA</b>	13.0	
<b>Connection Wiring</b>	AWG 14/4	
<b>System MOCP</b>	15.0	
<b>Compressor RLA</b>	7.5	
<b>Outdoor Fan Motor RLA</b>	0.4	
<b>Outdoor Fan Motor W</b>	34	
<b>Indoor Fan Motor RLA</b>	0.4	
<b>Indoor Fan Motor W</b>	30	
<b>System Power Input @ Cooling (W)</b>	1,140 (220 ~ 1,430)	
<b>System Power Input @ Heating (W)</b>	1,050 (240 ~ 1,310)	
<b>MCA: Min. circuit amps (A)</b>	<b>MOCP: Max. over current protection (A)</b>	
<b>RLA: Rated load amps (A)</b>	<b>W: Fan motor rated output (W)</b>	

### PIPING

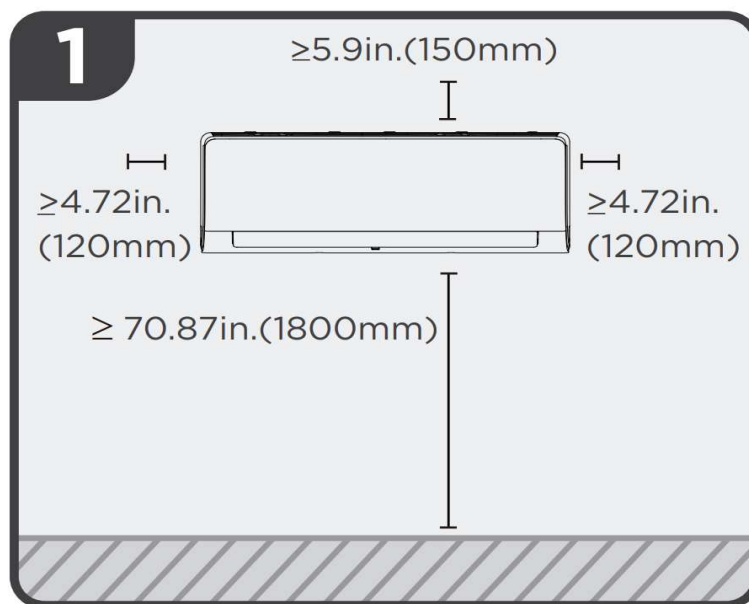
<b>Throttle type(Indoor)</b>	N/A
<b>Throttle type(Outdoor)</b>	Capillary
<b>Liquid Size</b>	1/4" (6.35mm)
<b>Gas Size</b>	3/8" (9.52mm)
<b>Max. Piping Length(ft/m)</b>	82 (25)
<b>Max. Height Difference(ft/m)</b>	49 (15)
<b>Max. Pre-charged Length(ft/m)</b>	25 (7.5)
<b>Refrigerant Pre-charged Amount(oz/g)</b>	25 (0.7)
<b>Additional Charge of Refrigerant((oz/ft)/(g/r)</b>	0.16 (15)
<b>Connection Method</b>	Flared

### Indoor Unit Dimension



Capacity	Body Code	Unit	W	D	H
9k	A	mm	726	210	291
		inch	28-5/8	8-1/4	11-1/2
12k	B	mm	835	208	295
		inch	32-7/8	8-1/4	11-5/8
18k	C	mm	969	241	320
		inch	38-1/8	9-1/2	12-5/8
24k	D	mm	1083	244	336
		inch	42-5/8	9-5/8	13-1/4
30k~36k	F	mm	1259	283	362
		inch	49-5/8	11-1/8	14-1/4

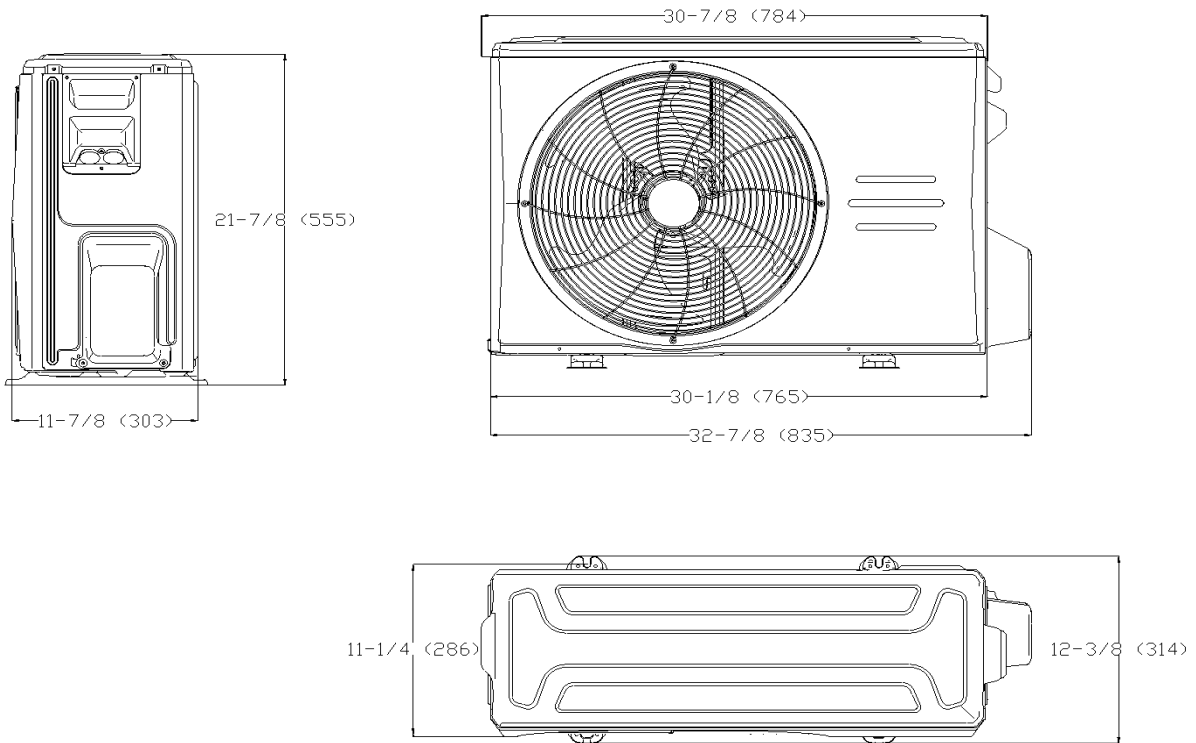
### Installation Instruction



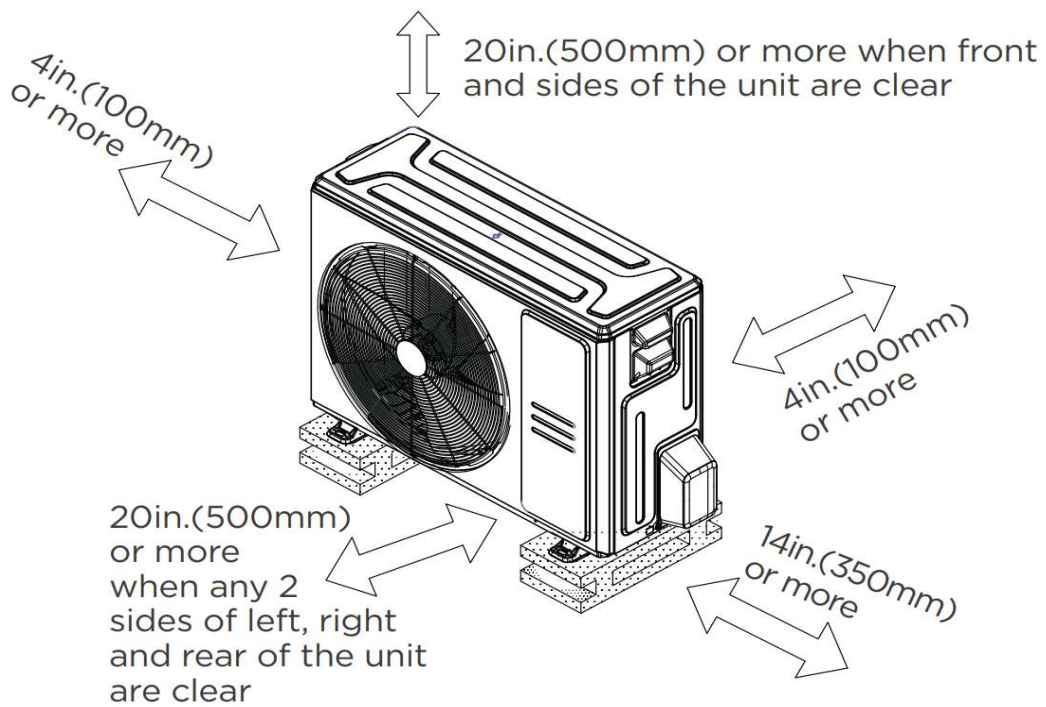
Select Installation Location

### Outdoor Unit Dimension

Unit: inch (mm)



### Installation Instruction



## FEATURES

- Indoor unit: TU1 copper coil
- 1~100% fan speed setting
- WiFi capability: through WiFi dongle or wired controller with built-in Wi-Fi
- OTA(by using Wi-Fi dongle)
- Multiple control options available:
  - Two-way communication wired controller with built-in Wi-Fi:120N(X6W)
  - Midea Smart Thermostat : MTL04-1
  - Wireless remote controller RG10 (Built-In)
  - Third-Party 24V Thermostat\*

\*Midea 24V Mini Interface Kit (17222000A68532) is required.