

R454b Refrigerant

SUBMITTAL DATA SHEET



Series Name: Entry Tier - INFINI L Series
Model Number: MSBNS-H09B-2A/MO1CS-H09B-2A

High Wall Mini Split Heat Pump System

Location:	Approval:
Engineer:	Date:
Submitted to:	Construction:
Submitted by:	Unit #:
Reference:	Drawing #:



INDOOR SPECIFICATION

Indoor Air Flow (Turbo/H/M/L/Si) (CFM)	306 / 247 / 177 / 141 / 141	
Indoor Noise Level (Turbo/H/M/L/Si) (dBA)	43 / 38.5 / 33 / 24 / 19.5	
Dimension (W×D×H)	inch	28-5/8 x 8-1/4 x 11-1/2
	mm	726 x 210 x 291
Package (W×D×H)	inch	31-1/8 x 10-5/8 x 14-3/4
	mm	790 x 270 x 375
Net/Gross Weight	lbs	18/23
	kg	8.2/10.5

OUTDOOR SPECIFICATION

Compressor Type	ROTARY	
Compressor Model	KSK103D33UEZ3	
Refrigerant	R454B	
Refrigerant Oil Charge(mL)	310	
Refrigerant Oil	VG74	
Outdoor Air Flow (Max) (CFM)	1,294	
Outdoor Noise Level (dBA)	53.5	
Dimension (W×D×H)	inch	30-1/8 x 11-7/8 x 21-7/8
	mm	765 x 303 x 555
Package (W×D×H)	inch	34-7/8 x 13-1/4 x 24
	mm	887 x 337 x 610
Net/Gross Weight	lbs	54/60
	kg	24.6/27.1

EFFICIENCY

Cooling		Heating	
SEER2	19.5	HSPF2-4	9.0
EER2	12.0	COP	3.3

PERFORMANCE of Cooling

Cooling (Btu/hr)	
Rated Capacity	9,000
Min/Max Capacity	2,900 ~ 10,500
Moisture Removal(L/h)	0.9
Standard Operating Range(*F/°C)	-13~122 (-25~50)
Conditions:	Indoor: 80°F DB/67°F WB Outdoor: 95°F DB/75°F WB

PERFORMANCE of Heating

Heating (Btu/hr)	
1. @ 47°F Rated	10,000
1. @ 47°F Min/Max Capacity	2,400 ~ 11,200
2. @ 17°F Rated	6,600
3. @ 5°F Rated: Capacity / COP	7,000 / 1.99
3. @ 5°F Max: Capacity	7,000
Standard Operating Range(*F/°C)	-13~75 (-25~24)
1. Conditions:	Indoor: 70°F DB/60°F WB Outdoor: 47°F DB/43°F WB
2. Conditions:	Indoor: 70°F DB/60°F WB Outdoor: 17°F DB/15°F WB
3. Conditions:	Indoor: 70°F DB/60°F WB Outdoor: 5°F DB/5°F WB

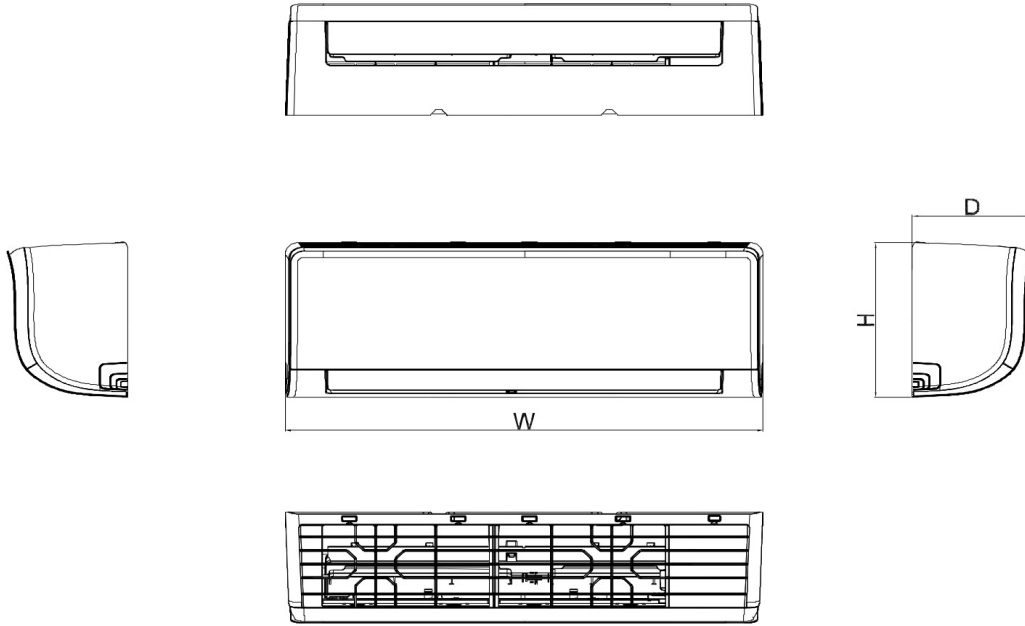
ELECTRICAL

Power Supply	208/230V,60Hz,1Ph	
System MCA	12.0	
Connection Wiring	AWG 14/4	
System MOCP	15.0	
Compressor RLA	7.0	
Outdoor Fan Motor RLA	0.3	
Outdoor Fan Motor W	34	
Indoor Fan Motor RLA	0.3	
Indoor Fan Motor W	20	
System Power Input @ Cooling (W)	750 (300 ~ 880)	
System Power Input @ Heating (W)	900 (320 ~ 1,100)	
MCA: Min. circuit amps (A)	MOCP: Max. over current protection (A)	
RLA: Rated load amps (A)	W: Fan motor rated output (W)	

PIPING

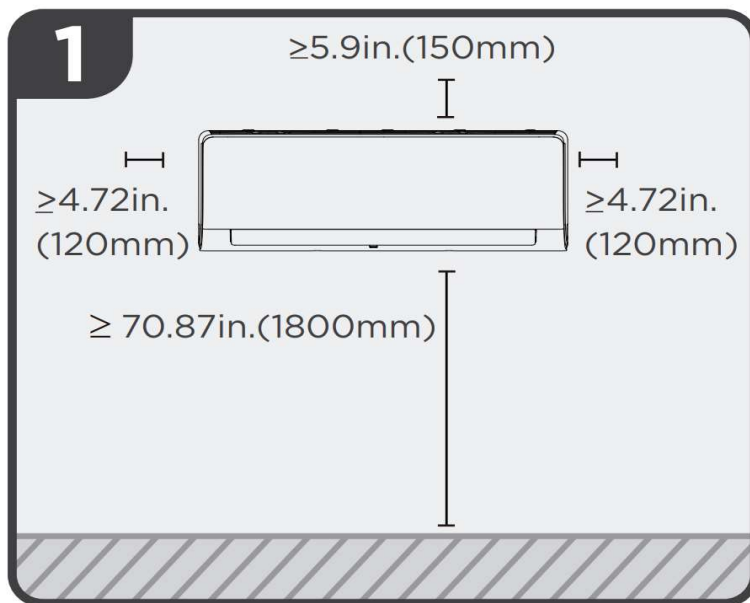
Throttle type(Indoor)	N/A	
Throttle type(Outdoor)	Capillary	
Liquid Size	1/4" (6.35mm)	
Gas Size	3/8" (9.52mm)	
Max. Piping Length(ft/m)	82 (25)	
Max. Height Difference(ft/m)	49 (15)	
Max. Pre-charged Length(ft/m)	25 (7.5)	
Refrigerant Pre-charged Amount(oz/g)	22 (0.61)	
Additional Charge of Refrigerant((oz/ft)/(g/r	0.16 (15)	
Connection Method	Flared	

Indoor Unit Dimension



Capacity	Body Code	Unit	W	D	H
9k	A	mm	726	210	291
		inch	28-5/8	8-1/4	11-1/2
12k	B	mm	835	208	295
		inch	32-7/8	8-1/4	11-5/8
18k	C	mm	969	241	320
		inch	38-1/8	9-1/2	12-5/8
24k	D	mm	1083	244	336
		inch	42-5/8	9-5/8	13-1/4
30k~36k	F	mm	1259	283	362
		inch	49-5/8	11-1/8	14-1/4

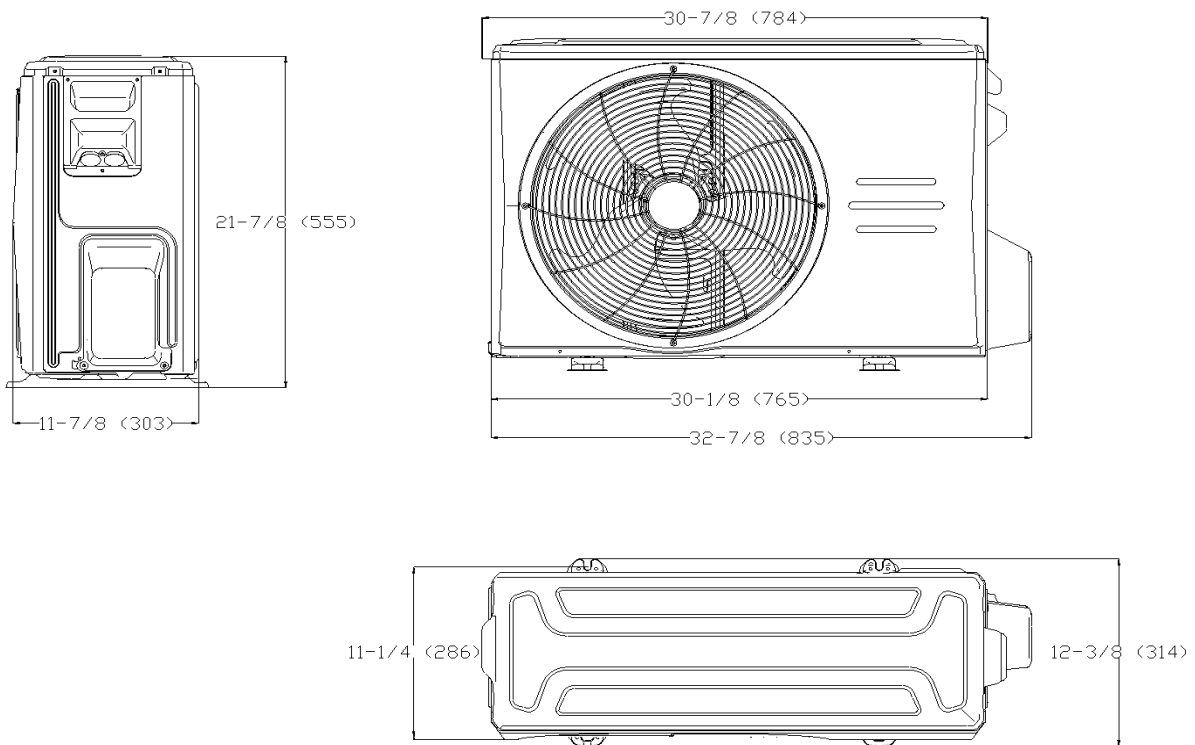
Installation Instruction



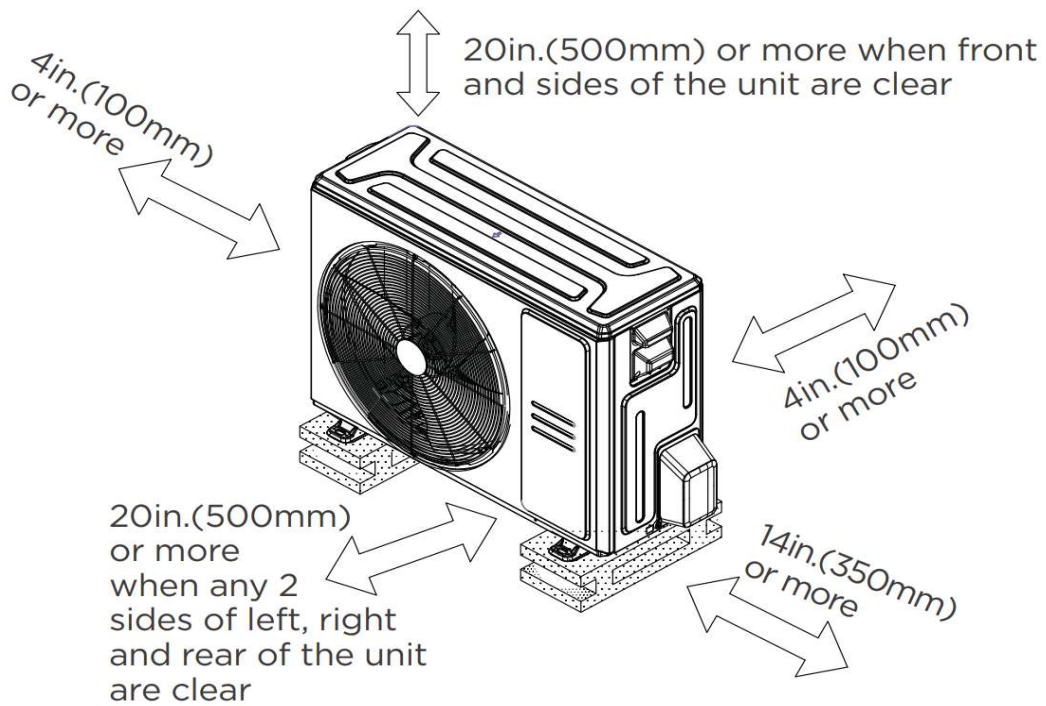
Select Installation Location

Outdoor Unit Dimension

Unit: inch (mm)



Installation Instruction



FEATURES

- Indoor unit: TU1 copper coil
- 1~100% fan speed setting
- WiFi capability: through WiFi dongle or wired controller with built-in Wi-Fi
- OTA(by using Wi-Fi dongle)
- Multiple control options available:
 - Two-way communication wired controller with built-in Wi-Fi:120N(X6W)
 - Midea Smart Thermostat : MTL04-1
 - Wireless remote controller RG10 (Built-In)
 - Third-Party 24V Thermostat*

*Midea 24V Mini Interface Kit (17222000A68532) is required.