

R454b Refrigerant

SUBMITTAL DATA SHEET



Series Name: Slim Duct Xtreme Heat Series
Model Number: MDHUU-H09B-2A/MO1HS-H09B-2A

Slim Duct Heat Pump System

Location:	Approval:
Engineer:	Date:
Submitted to:	Construction:
Submitted by:	Unit #:
Reference:	Drawing #:



INDOOR SPEINDOOR SPECIFICATIONCIFICATION

Indoor Air Flow (Turbo/H/M/L/Si) (CFM)	344 / 288 / 231 / 201 / 122
Indoor Noise Level (Turbo/H/M/L/Si) (dBA)	30 / 30 / 29 / 28 / 26
Indoor static pressure range(in.w.g.)	0-0.8
Dimension (W×D×H)	inch 27-1/2 x 29-1/2 x 9-5/8
	mm 700 × 750 × 245
Package (W×D×H)	inch 36-3/8 x 33-1/2 x 11-3/4
	mm 925 × 850 × 298
Net/Gross Weight	lbs 64 / 74
	kg 29.1 / 33.5

OUTDOOR SPECIFICATION

Compressor Type	ROTARY
Compressor Model	KTN110D42UFZ
Refrigerant	R454B
Refrigerant Oil Charge(mL)	350
Refrigerant Oil	VG74
Outdoor Air Flow (Max) (CFM)	1,472
Outdoor Noise Level (dBA)	54
Dimension (W×D×H)	inch 31-3/4 x 13 x 21-3/4
	mm 805 × 330 × 554
Package (W×D×H)	inch 36 x 14-5/8 x 24-1/2
	mm 915 × 370 × 615
Net/Gross Weight	lbs 73/79
	kg 33/35.7

EFFICIENCY

Cooling		Heating	
SEER2	20.5	HSPF2-4	13.8
EER2	14.0	COP	3.88

PERFORMANCE of Cooling

Cooling (Btu/hr)	
Rated Capacity	9,000
Min/Max Capacity	3,000~13,100
Moisture Removal(L/h)	0.69
Standard Operating Range(°F/°C)	-22 ~ 122 (-30 ~ 50)
Conditions:	Indoor: 80°F DB/67°F WB Outdoor: 95°F DB/75°F WB

PERFORMANCE of Heating

Heating (Btu/hr)	
1. @ 47°F Rated	9,900
1. @ 47°F Min/Max Capacity	3,900~16,500
2. @ 17°F Rated	10,200
3. @ 5°F Rated: Capacity / COP	11,900/1.85
3. @ 5°F Max: Capacity	11,900
Standard Operating Range(°F/°C)	-22 ~ 75 (-30 ~ 24)
1. Conditions:	Indoor: 70°F DB/60°F WB Outdoor: 47°F DB/43°F WB
2. Conditions:	Indoor: 70°F DB/60°F WB Outdoor: 17°F DB/15°F WB
3. Conditions:	Indoor: 70°F DB/60°F WB Outdoor: 5°F DB/5°F WB

ELECTRICAL

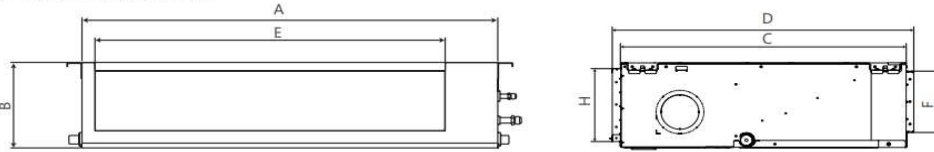
Power Supply	208/230V,60Hz,1Ph
System MCA	15.0
Connection Wiring	AWG 14/4
System MOCP	15.0
Compressor RLA	10.4
Outdoor Fan Motor RLA	0.6
Outdoor Fan Motor W	34
Indoor Fan Motor RLA	1.5
Indoor Fan Motor W	165
System Power Input @ Cooling (W)	642 (150 ~ 1,260)
System Power Input @ Heating (W)	750 (260 ~ 1,420)
MCA: Min. circuit amps (A)	MOCP: Max. over current protection (A)
RLA: Rated load amps (A)	W: Fan motor rated output (W)

PIPING

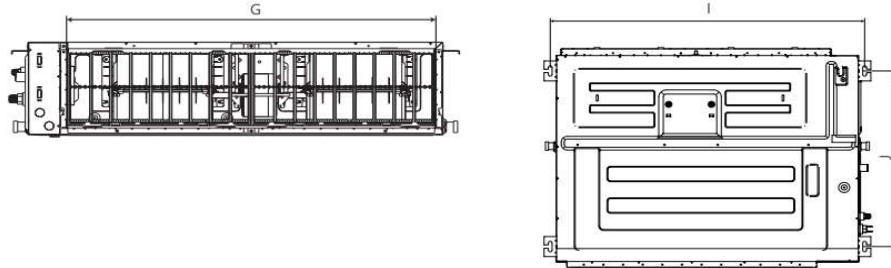
Throttle type(Indoor)	N/A
Throttle type(Outdoor)	EXV
Liquid Size	1/4" (6.35mm)
Gas Size	3/8" (9.52mm)
Max. Piping Length(ft/m)	82 (25)
Max. Height Difference(ft/m)	49 (15)
Max. Pre-charged Length(ft/m)	25 (7.5)
Refrigerant Pre-charged Amount(oz/kg)	35 (1.00)
Additional Charge of Refrigerant((oz/ft)/(g/m)	0.16 (15)
Connection Method	Flared

Indoor Unit Dimension

Air outlet dimensions



Air inlet dimensions

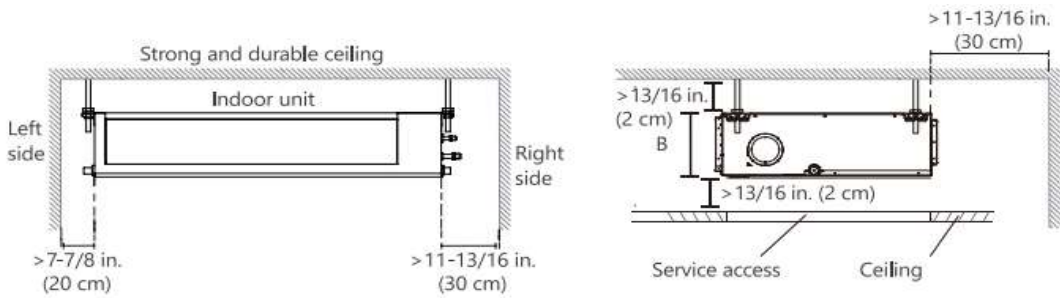


Unit: inch (mm)

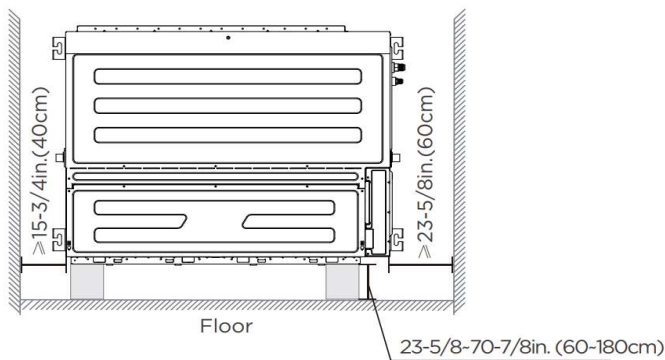
MODEL	OUTLINE DEMENSION				AIR OUTLET OPENING SIZE		AIR RETURN OPENING SIZE		SIZE OF MOUNTED LUG	
	A	B	C	D	E	F	G	H	I	J
9K/12K	27-5/8 (700)	9-5/8 (245)	29-1/2 (750)	31-5/16 (795)	20-3/4 (527)	7 (178)	23-5/16 (592)	8-5/16 (212)	29-3/32 (740)	25-1/4 (640)
18K/24K	39-7/16 (1,000)	9-5/8 (245)	29-1/2 (750)	31-5/16 (795)	32-5/8 (827)	7 (178)	35-3/32 (892)	8-5/16 (212)	40-7/8 (1,040)	25-1/4 (640)
36K/48K	47-1/4 (1,200)	11-13/16 (300)	29-1/2 (750)	31-5/16 (795)	40-7/16 (1,027)	9-1/4 (233)	43 (1,092)	10-1/2 (267)	48-13/16 (1,240)	25-1/4 (640)
55K/60K	55-3/32 (1,400)	14-7/8 (380)	29-1/2 (750)	31-5/16 (795)	48-3/32 (1,223)	12-5/8 (320)	50-3/32 (1,272)	13 (330)	56-13/16 (1,440)	26-5/16 (668)

Installation Instruction

1) Ceiling-mounted

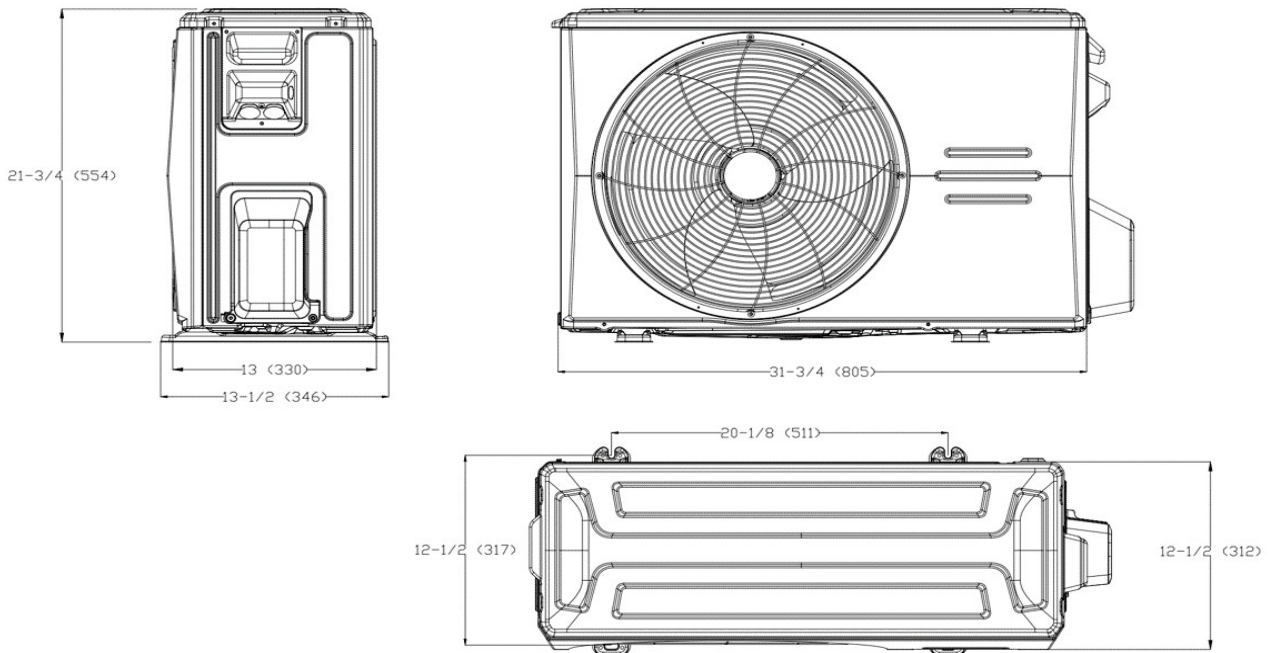


2) Wall-mounted

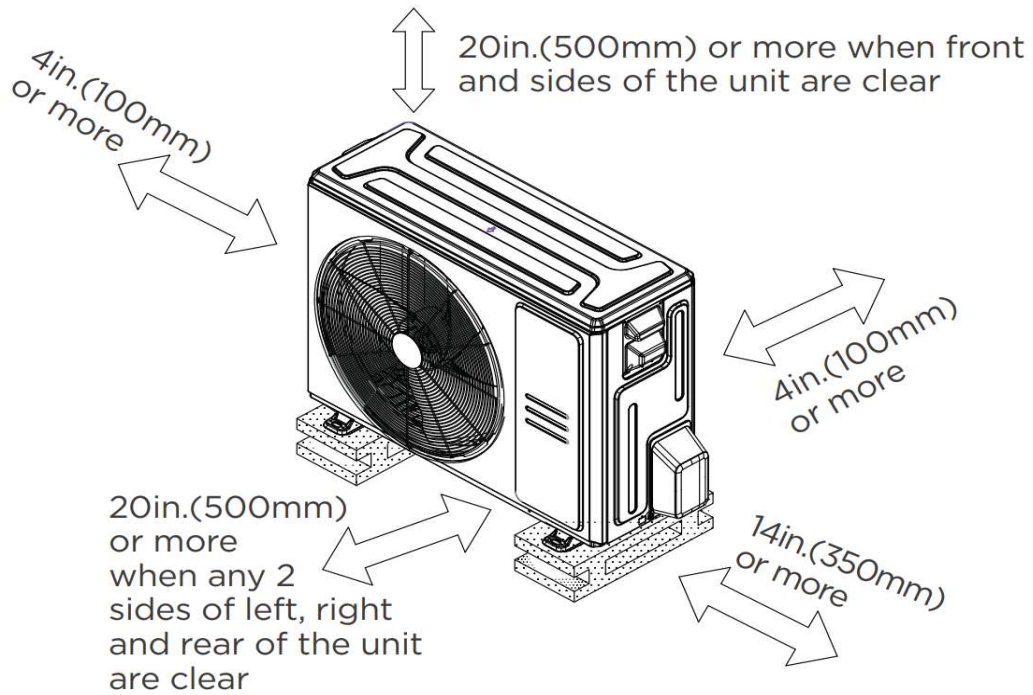


Outdoor Unit Dimension

Unit: inch (mm)

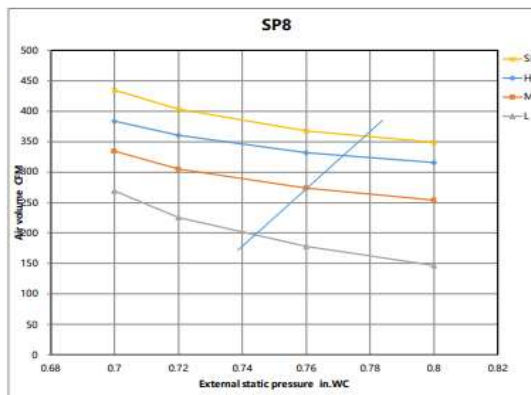
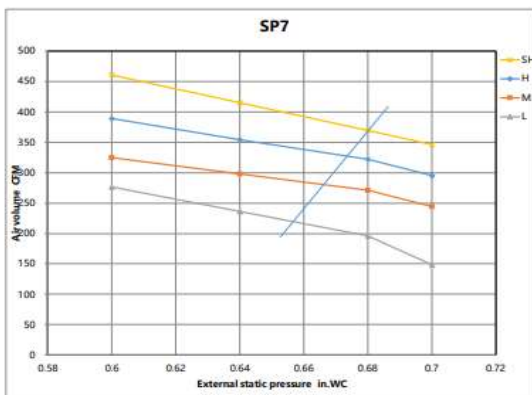
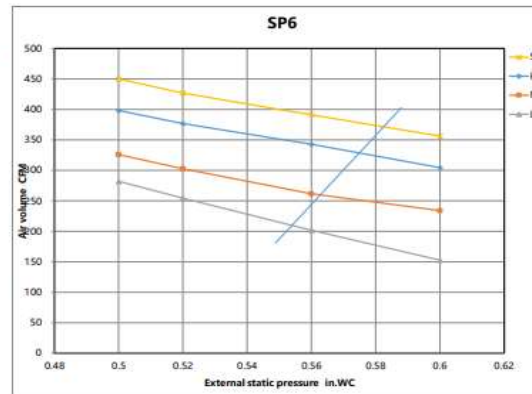
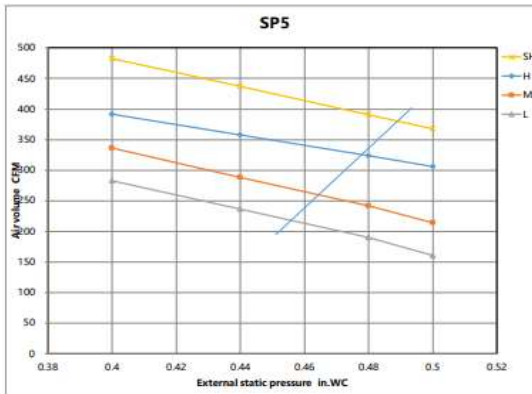
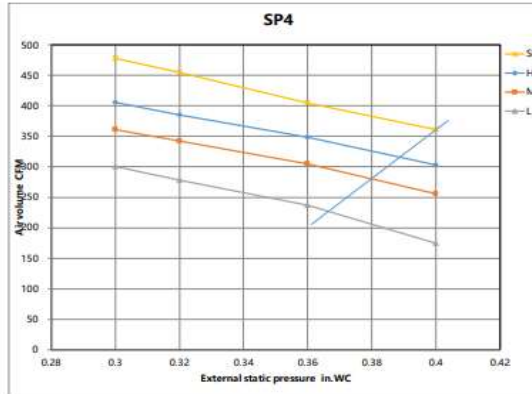
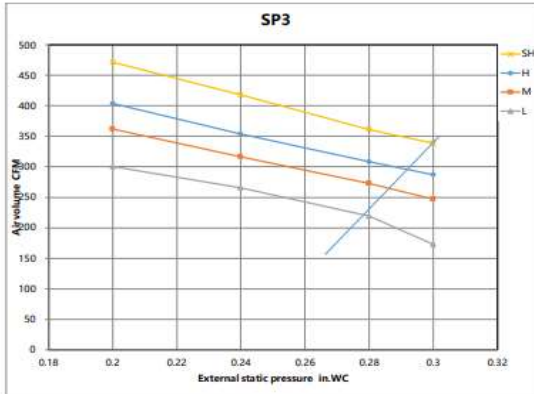
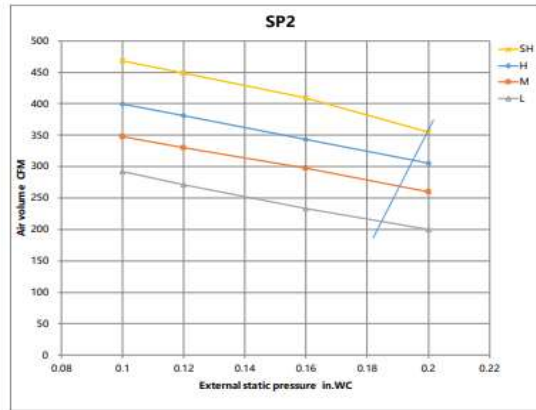
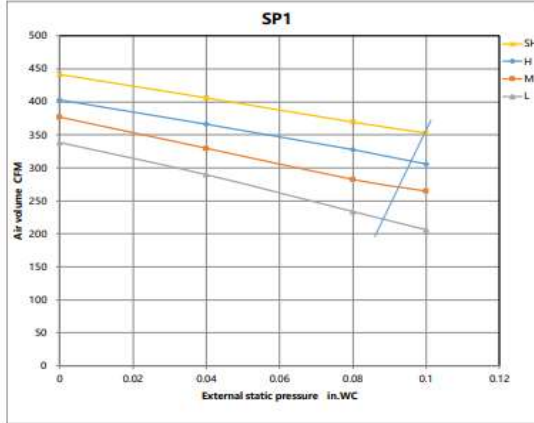


Installation Instruction

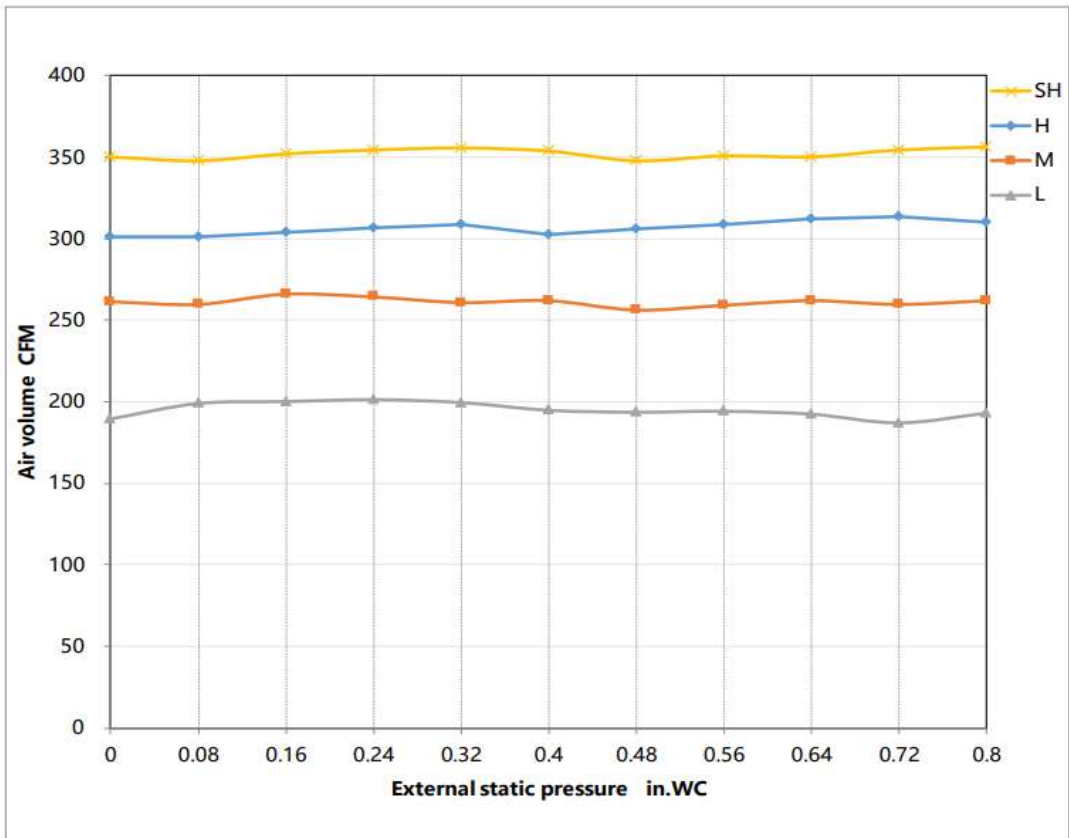


Fan performance

The default setting is SP1, which can be changed to SP2,3,4,5,6,7,8 using the wired controller.



Constant air volume



FEATURES

- Compatible with both horizontal and vertical installation
- Static pressure up to 0.8 in.w.g(for all models)
- Static pressure setting stages: 8
- Refrigerant leakage detection sensor
- Constant airflow
- Built-in pump
- i-clean
- Fan speed stages: 1~100%
- WiFi capability: through wired controller with built-in WiFi
- OTA(by using wired controller 120N(X6W))
- 2-pin connector(HA/HB) for programmable wired controller
- Multiple control options available:
 - Two way communication wired controller with built-in WiFi:120N(X6W)
 - Wireless remote controller
 - Third-Party 24V Thermostat*

*24V interface is required.