

# R454b Refrigerant

# SUBMITTAL DATA SHEET



Series Name: Slim Duct Energy Star Series  
Model Number: MDHUU-H09B-2A/MO1ES-H09B-2A

## Slim Duct Heat Pump System

Location:	Approval:
Engineer:	Date:
Submitted to:	Construction:
Submitted by:	Unit #:
Reference:	Drawing #:



## INDOOR SPECIFICATION

Indoor Air Flow (Turbo/H/M/L/Si) (CFM)	344 / 288 / 231 / 201 / 122
Indoor Noise Level (Turbo/H/M/L/Si) (dBA)	31 / 31 / 30 / 29 / 28
Indoor static pressure range	0-0.8
Dimension (W×D×H)	inch 27-1/2 x 29-1/2 x 9-5/8
	mm 700 x 750 x 245
Package (W×D×H)	inch 36-3/8 x 33-1/2 x 11-3/4
	mm 925 x 850 x 298
Net/Gross Weight	lbs 64 / 74
	kg 29.1 / 33.5

## OUTDOOR SPECIFICATION

Compressor Type	ROTARY
Compressor Model	KSK103D33UEZ3
Refrigerant	R454B
Refrigerant Oil Charge(mL)	310
Refrigerant Oil	5.65
Outdoor Air Flow (Max) (CFM)	1,236
Outdoor Noise Level (dBA)	53
Dimension (W×D×H)	inch 30-1/8 x 11-7/8 x 21-7/8
	mm 765 x 303 x 555
Package (W×D×H)	inch 34-7/8 x 13-1/4 x 24
	mm 887 x 337 x 610
Net/Gross Weight	lbs 63 / 68
	kg 28.2 / 30.7

## EFFICIENCY

Cooling		Heating	
SEER2	19.7	HSPF2-4	11.5
EER2	13.0	COP	4.00

## PERFORMANCE of Cooling

Cooling (Btu/hr)	
Rated Capacity	9,000
Min/Max Capacity	2,000~11,200
Moisture Removal(L/h)	0.61
Standard Operating Range(°F/°C)	-13~122 (-25 ~ 50)
Conditions:	Indoor: 80°F DB/67°F WB Outdoor: 95°F DB/75°F WB

## PERFORMANCE of Heating

Heating (Btu/hr)	
1. @ 47°F Rated	10,000
1. @ 47°F Min/Max Capacity	3,600~14,500
2. @ 17°F Rated	9,300
3. @ 5°F Rated: Capacity / COP	8,300/2.31
3. @ 5°F Max: Capacity	8,300
Standard Operating Range(°F/°C)	-13~75 (-25 ~ 24)
1. Conditions:	Indoor: 70°F DB/60°F WB Outdoor: 47°F DB/43°F WB
2. Conditions:	Indoor: 70°F DB/60°F WB Outdoor: 17°F DB/15°F WB
3. Conditions:	Indoor: 70°F DB/60°F WB Outdoor: 5°F DB/5°F WB

## ELECTRICAL

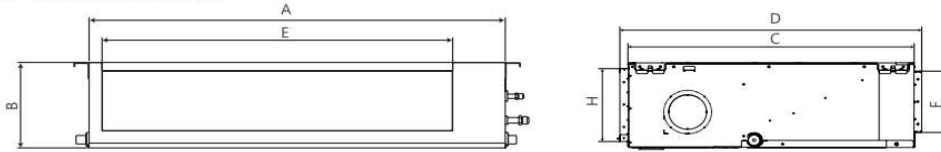
Power Supply	208/230V,60Hz,1Ph
System MCA	12.0
Connection Wiring	AWG 14/4
System MOCP	15.0
Compressor RLA	7.3
Outdoor Fan Motor RLA	0.6
Outdoor Fan Motor W	34
Indoor Fan Motor RLA	1.5
Indoor Fan Motor W	165
System Power Input @ Cooling (W)	676 (200 ~ 1,000)
System Power Input @ Heating (W)	735 (250 ~ 1,150)
MCA: Min. circuit amps (A)	MOCP: Max. over current protection (A)
RLA: Rated load amps (A)	W: Fan motor rated output (W)

## PIPING

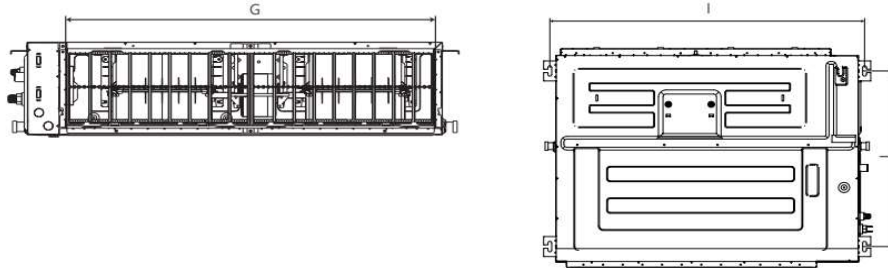
Throttle type(Indoor)	N/A
Throttle type(Outdoor)	EXV
Liquid Size	1/4" (6.35mm)
Gas Size	3/8" (9.52mm)
Max. Piping Length(ft/m)	82 (25)
Max. Height Difference(ft/m)	49 (15)
Max. Pre-charged Length(ft/m)	25 (7.5)
Refrigerant Pre-charged Amount(oz/kg)	32 (0.92)
Additional Charge of Refrigerant((oz/ft)/(g/m)	0.16 (15)
Connection Method	Flared

### Indoor Unit Dimension

#### Air outlet dimensions



#### Air inlet dimensions

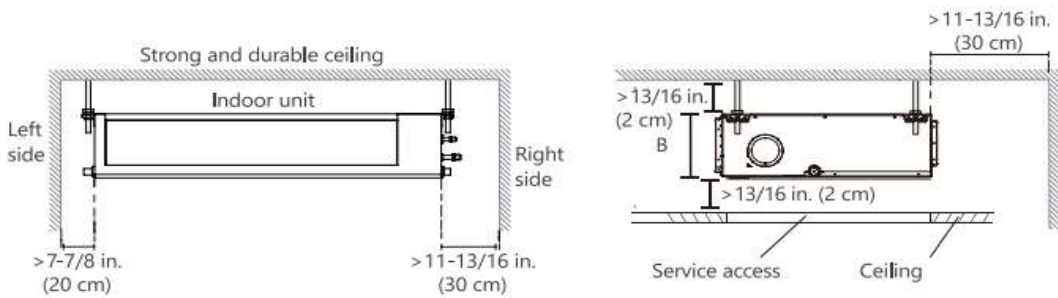


Unit: inch (mm)

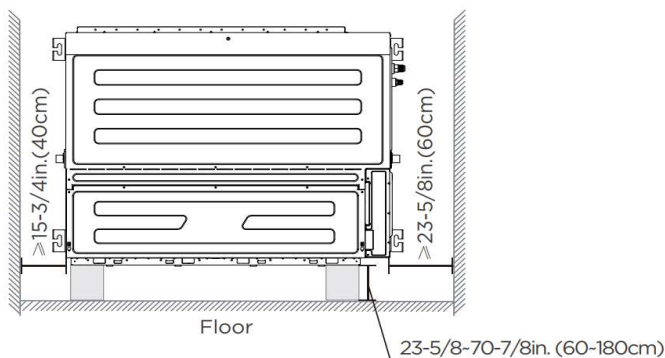
MODEL	OUTLINE DEMENSION				AIR OUTLET OPENING SIZE		AIR RETURN OPENING SIZE		SIZE OF MOUNTED LUG	
	A	B	C	D	E	F	G	H	I	J
9K/12K	27-5/8 (700)	9-5/8 (245)	29-1/2 (750)	31-5/16 (795)	20-3/4 (527)	7 (178)	23-5/16 (592)	8-5/16 (212)	29-3/32 (740)	25-1/4 (640)
18K/24K	39-7/16 (1,000)	9-5/8 (245)	29-1/2 (750)	31-5/16 (795)	32-5/8 (827)	7 (178)	35-3/32 (892)	8-5/16 (212)	40-7/8 (1,040)	25-1/4 (640)
36K/48K	47-1/4 (1,200)	11-13/16 (300)	29-1/2 (750)	31-5/16 (795)	40-7/16 (1,027)	9-1/4 (233)	43 (1,092)	10-1/2 (267)	48-13/16 (1,240)	25-1/4 (640)
55K/60K	55-3/32 (1,400)	14-7/8 (380)	29-1/2 (750)	31-5/16 (795)	48-3/32 (1,223)	12-5/8 (320)	50-3/32 (1,272)	13 (330)	56-13/16 (1,440)	26-5/16 (668)

### Installation Instruction

#### 1) Ceiling-mounted

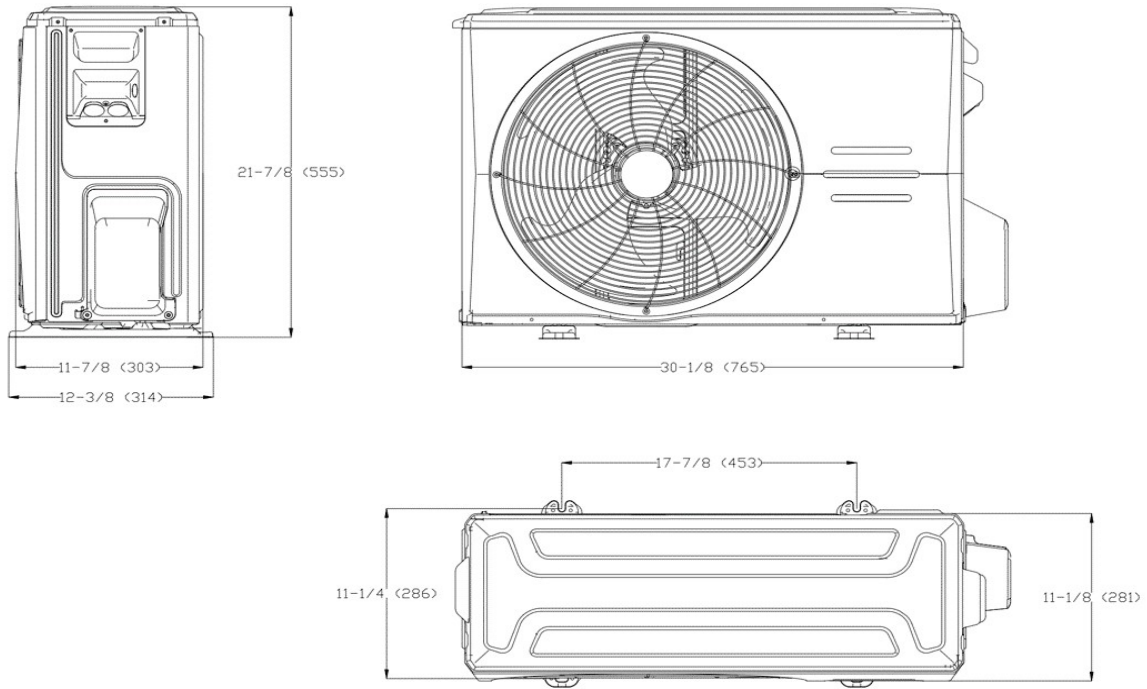


#### 2) Wall-mounted

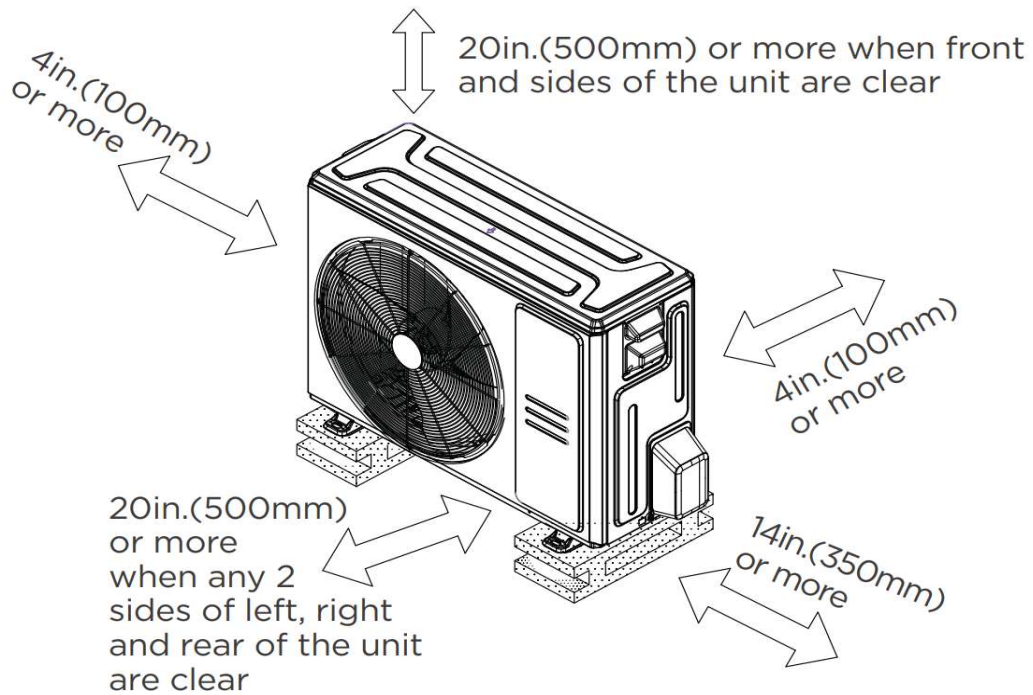


### Outdoor Unit Dimension

Unit: inch (mm)

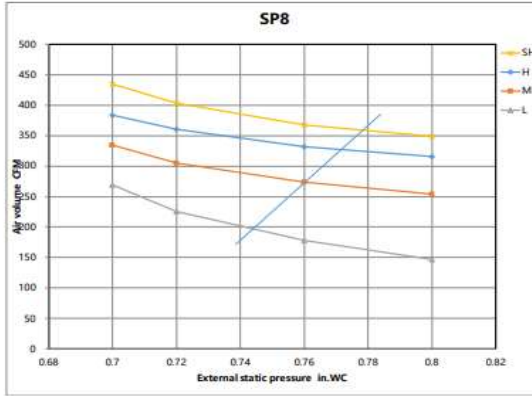
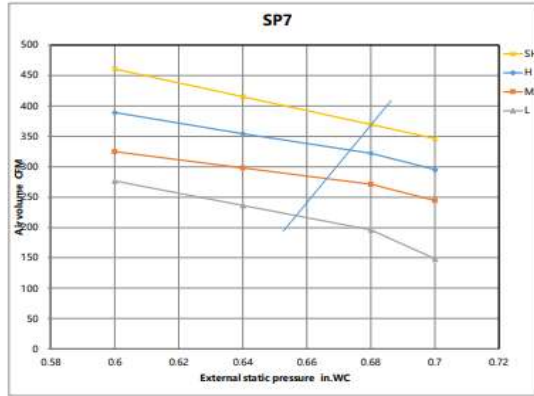
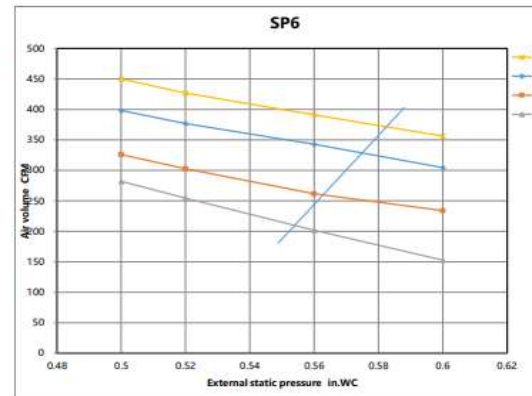
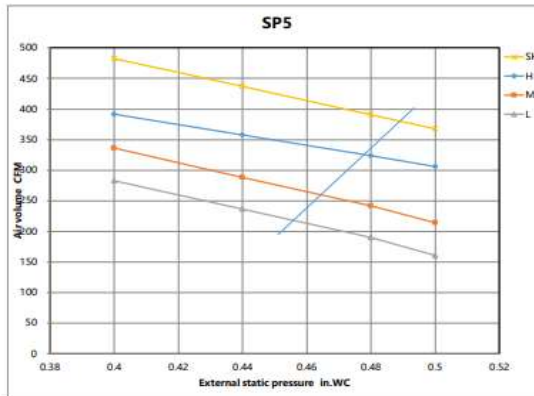
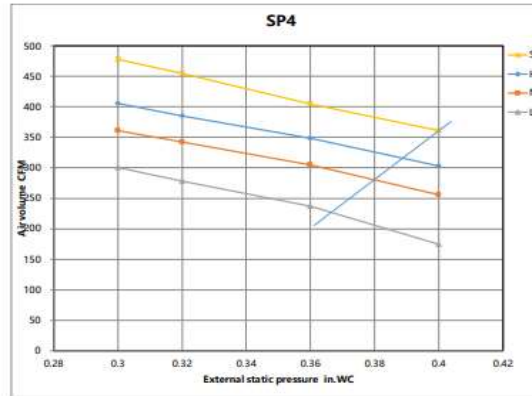
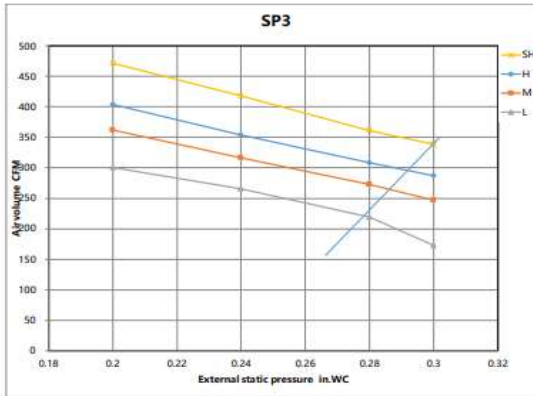
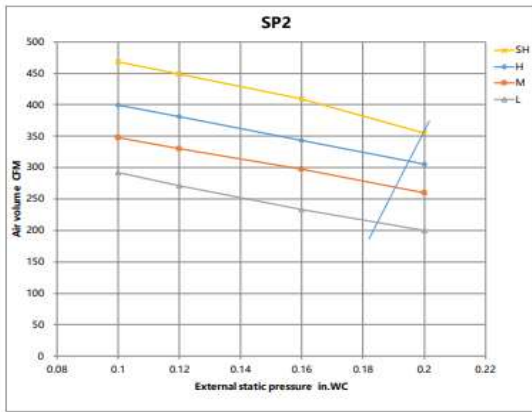
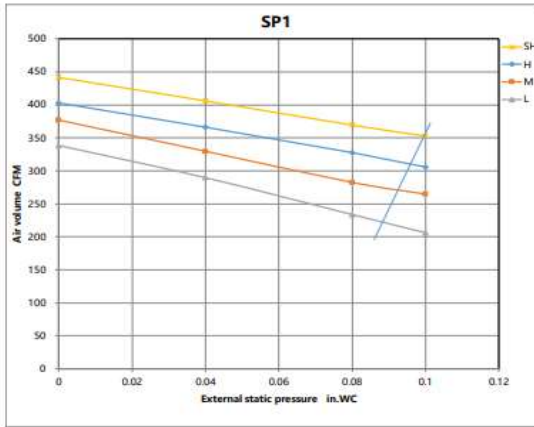


### Installation Instruction

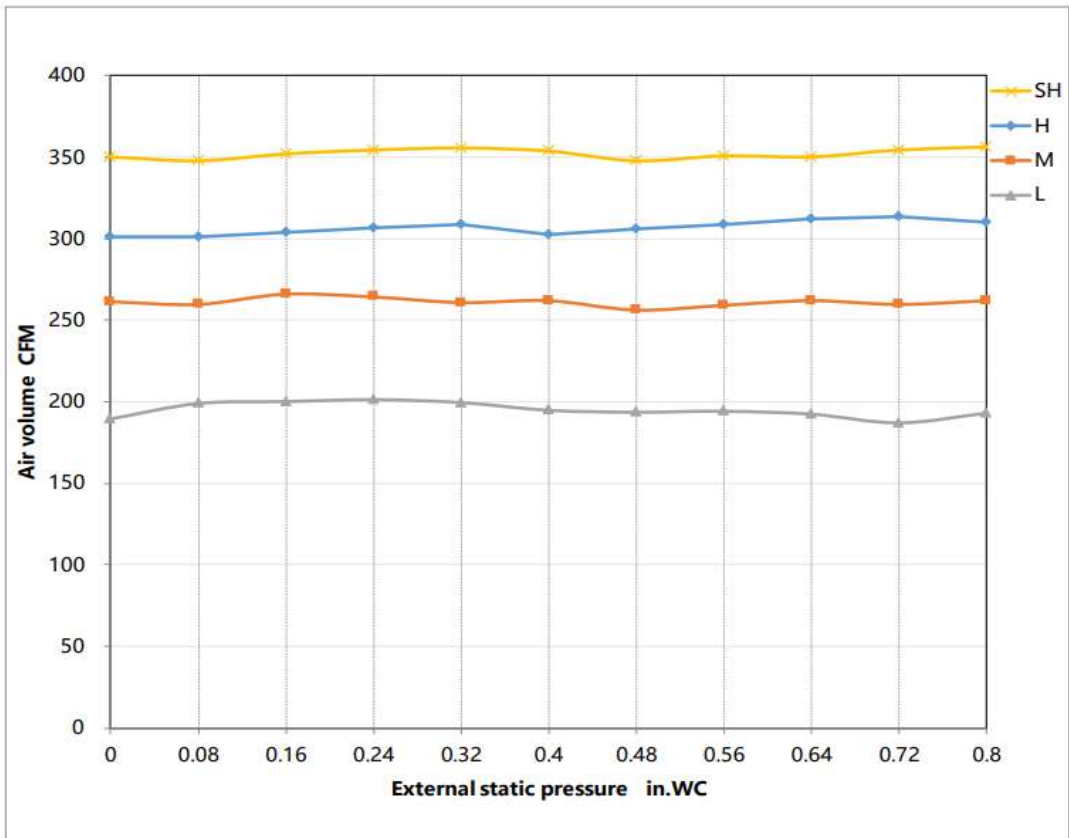


## Fan performance

The default setting is SP1, which can be changed to SP2,3,4,5,6,7,8 using the wired controller.



### Constant air volume



## FEATURES

- Compatible with both horizontal and vertical installation
- Static pressure up to 0.8 in.w.g(for all models)
- Static pressure setting stages: 8
- Refrigerant leakage detection sensor
- Constant airflow
- Built-in pump
- i-clean
- Fan speed stages: 1~100%
- WiFi capability: through wired controller with built-in WiFi
- OTA(by using wired controller 120N(X6W))
- 2-pin connector(HA/HB) for programmable wired controller
- Multiple control options available:
  - Two way communication wired controller with built-in WiFi:120N(X6W)
  - Wireless remote controller
  - Third-Party 24V Thermostat\*

\*24V interface is required.