

R454b Refrigerant

SUBMITTAL DATA SHEET



Series Name: Slim Duct Regular Series
Model Number: MDHHS-H36B-2A/MO1BU-H36B-2A

Slim Duct Regular System

Location:	Approval:
Engineer:	Date:
Submitted to:	Construction:
Submitted by:	Unit #:
Reference:	Drawing #:



INDOOR SPEINDOOR SPECIFICATIONCIFICATION

Indoor Air Flow (Turbo/H/M/L/Si) (CFM)	1236 / 1060 / 942 / 765 / 765
Indoor Noise Level (Turbo/H/M/L/Si) (dBA)	45 / 45 / 40 / 33 / 30
Indoor static pressure range(in.w.g.)	0-0.8
Dimension (W×D×H)	inch 47-1/8 x 29-1/2 x 11-7/8
	mm 1200 × 750 × 300
Package (W×D×H)	inch 56-1/8 x 33-7/8 x 14-1/8
	mm 1425 × 860 × 359
Net/Gross Weight	lbs 106 / 120
	kg 48.2 / 54.6

OUTDOOR SPECIFICATION

Compressor Type	ROTARY
Compressor Model	KTF310D43UMT
Refrigerant	R454B
Refrigerant Oil Charge(mL)	1,000
Refrigerant Oil	VG74
Outdoor Air Flow (Max) (CFM)	2,413
Outdoor Noise Level (dBA)	63
Dimension (W×D×H)	inch 37-1/4 x 16-1/8 x 31-7/8
	mm 946 × 410 × 810
Package (W×D×H)	inch 42-7/8 x 19-5/8 x 34-7/8
	mm 1090 × 500 × 885
Net/Gross Weight	lbs 152 / 162
	kg 69.1 / 73.7

EFFICIENCY

Cooling		Heating	
SEER2	18.7	HSPF2-4	10.2
EER2	10.1	COP	3.70

PERFORMANCE of Cooling

Cooling (Btu/hr)	
Rated Capacity	36,000
Min/Max Capacity	7,900~42,500
Moisture Removal(L/h)	3.65
Standard Operating Range(°F/°C)	-13~122 (-25 ~ 50)
Conditions:	Indoor: 80°F DB/67°F WB Outdoor: 95°F DB/75°F WB

PERFORMANCE of Heating

Heating (Btu/hr)	
1. @ 47°F Rated	40,000
1. @ 47°F Min/Max Capacity	8,100~43,500
2. @ 17°F Rated	27,400
3. @ 5°F Rated: Capacity / COP	25,600/2.10
3. @ 5°F Max: Capacity	25,600
Standard Operating Range(°F/°C)	-13~75 (-25 ~ 24)
1. Conditions:	Indoor: 70°F DB/60°F WB Outdoor: 47°F DB/43°F WB
2. Conditions:	Indoor: 70°F DB/60°F WB Outdoor: 17°F DB/15°F WB
3. Conditions	Indoor: 70°F DB/60°F WB Outdoor: 5°F DB/5°F WB

ELECTRICAL

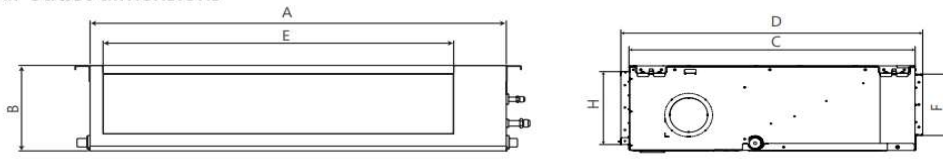
Power Supply	208/230V,60Hz,1Ph
System MCA	33.0
Communication Wiring	AWG 20/2
System MOCP	35.0
Compressor RLA	21.5
Outdoor Fan Motor RLA	1.4
Outdoor Fan Motor W	120
Indoor Fan Motor RLA	3.2
Indoor Fan Motor W	400
System Power Input @ Cooling (W)	3,530 (660 ~ 4,250)
System Power Input @ Heating (W)	3,170 (520 ~3,360)
MCA: Min. circuit amps (A)	MOCP: Max. over current protection (A)
RLA: Rated load amps (A)	W: Fan motor rated output (W)

PIPING

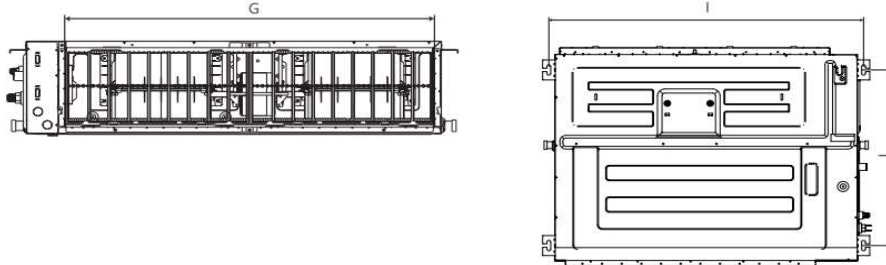
Throttle type(Indoor)	N/A
Throttle type(Outdoor)	EXV+Throttle valve
Liquid Size	3/8" (9.52mm)
Gas Size	3/4" (19mm)
Max. Piping Length(ft/m)	246 (75)
Max. Height Difference(ft/m)	98 (30)
Max. Pre-charged Length(ft/m)	25 (7.5)
Refrigerant Pre-charged Amount(oz/kg)	92 (2.60)
Additional Charge of Refrigerant((oz/ft)/(g/m)	0.32 (30)
Connection Method	Flared

Indoor Unit Dimension

Air outlet dimensions



Air inlet dimensions

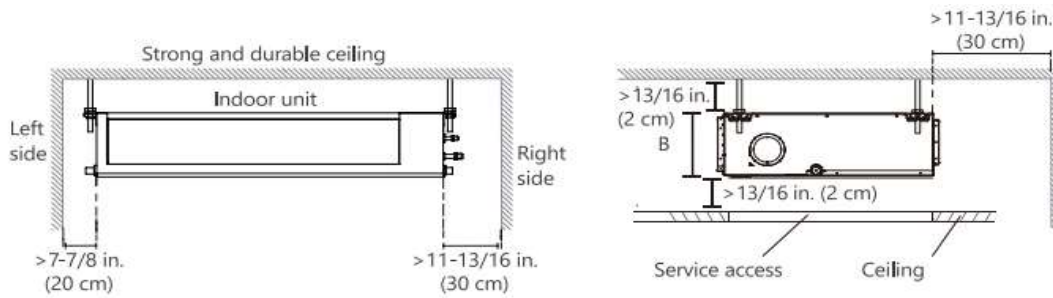


Unit: inch (mm)

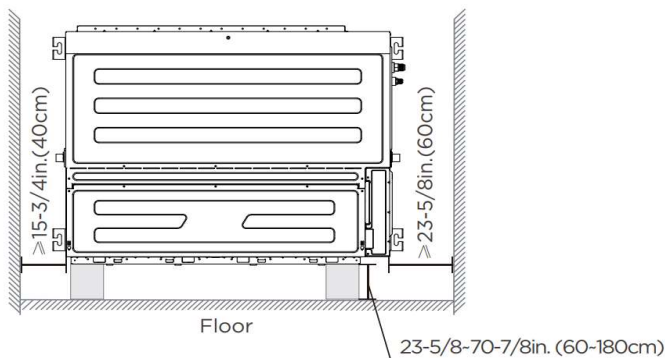
MODEL	OUTLINE DEMENSION				AIR OUTLET OPENING SIZE		AIR RETURN OPENING SIZE		SIZE OF MOUNTED LUG	
	A	B	C	D	E	F	G	H	I	J
9K/12K	27-5/8 (700)	9-5/8 (245)	29-1/2 (750)	31-5/16 (795)	20-3/4 (527)	7 (178)	23-5/16 (592)	8-5/16 (212)	29-3/32 (740)	25-1/4 (640)
18K/24K	39-7/16 (1,000)	9-5/8 (245)	29-1/2 (750)	31-5/16 (795)	32-5/8 (827)	7 (178)	35-3/32 (892)	8-5/16 (212)	40-7/8 (1,040)	25-1/4 (640)
36K/48K	47-1/4 (1,200)	11-13/16 (300)	29-1/2 (750)	31-5/16 (795)	40-7/16 (1,027)	9-1/4 (233)	43 (1,092)	10-1/2 (267)	48-13/16 (1,240)	25-1/4 (640)
55K/60K	55-3/32 (1,400)	14-7/8 (380)	29-1/2 (750)	31-5/16 (795)	48-3/32 (1,223)	12-5/8 (320)	50-3/32 (1,272)	13 (330)	56-13/16 (1,440)	26-5/16 (668)

Installation Instruction

1) Ceiling-mounted

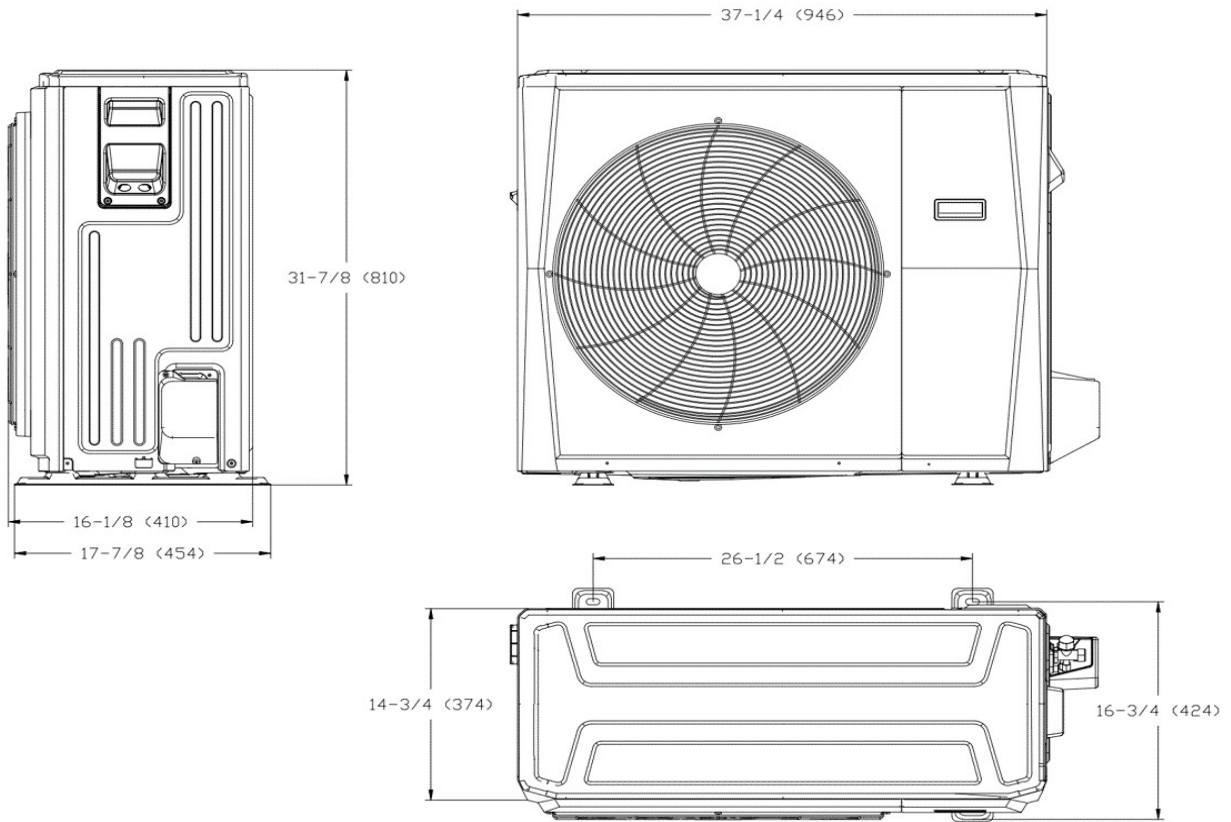


2) Wall-mounted

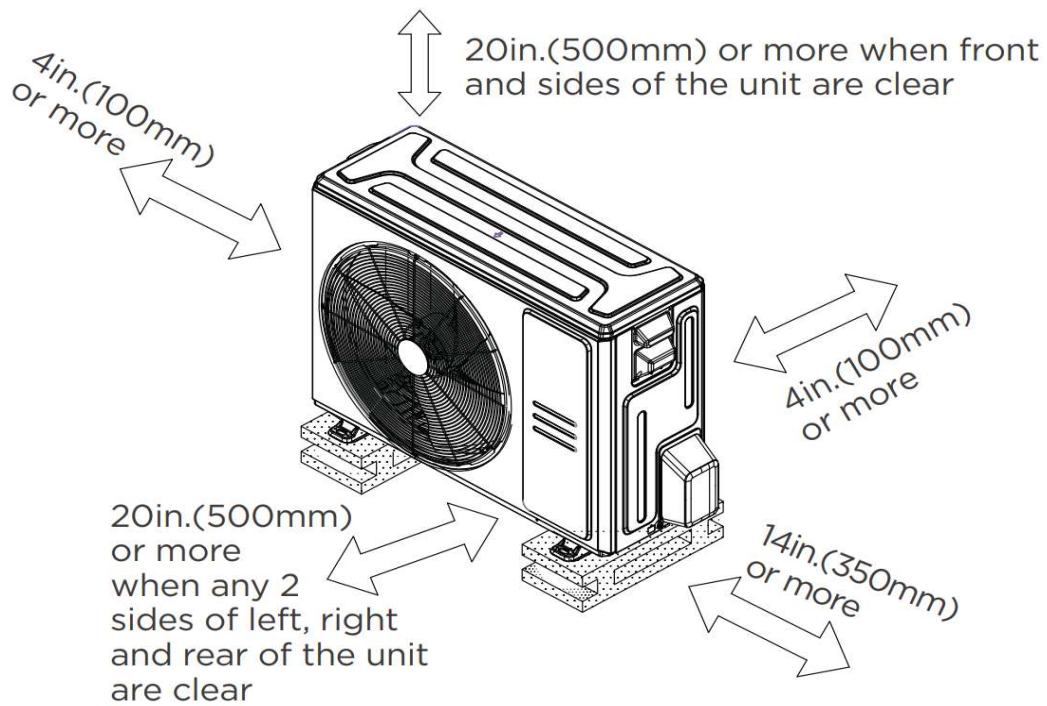


Outdoor Unit Dimension

Unit: inch (mm)

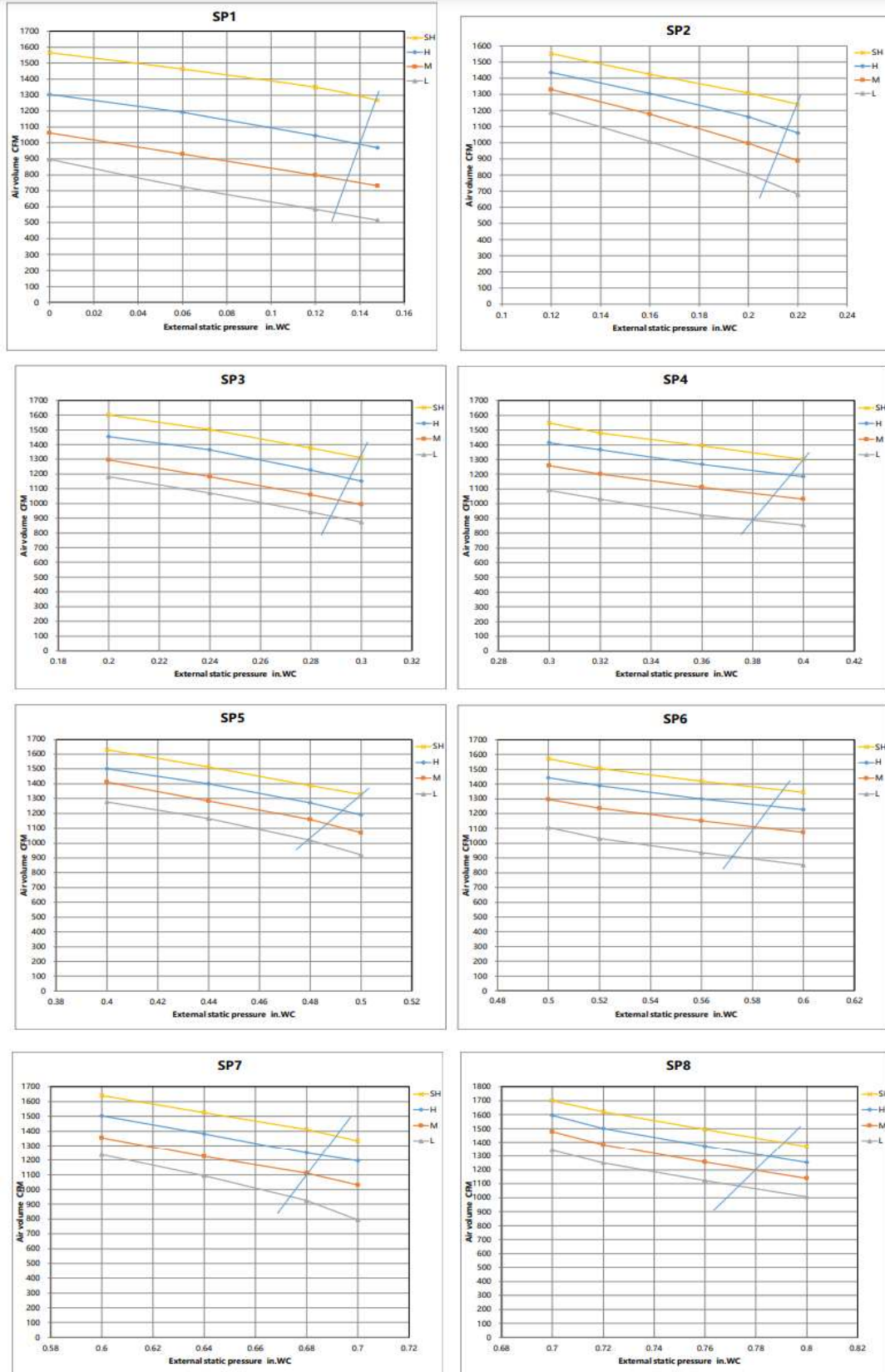


Installation Instruction

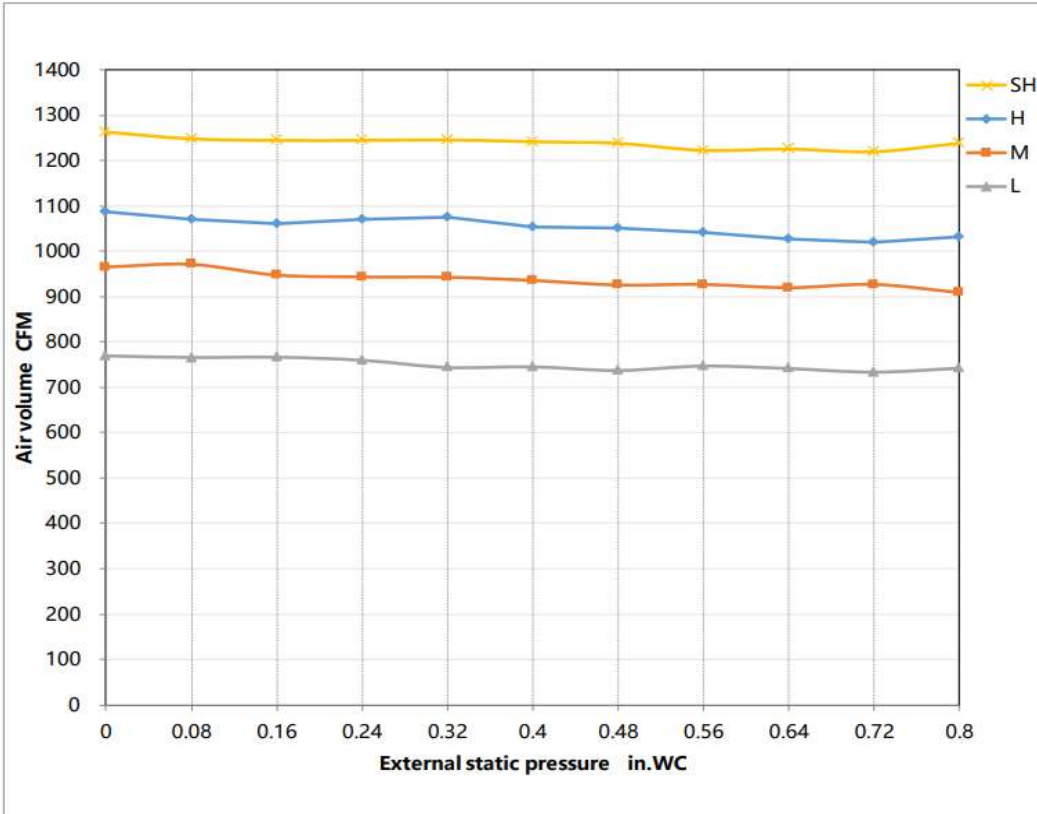


Fan performance

The default setting is SP1, which can be changed to SP2,3,4,5,6,7,8 using the wired controller.



Constant air volume



FEATURES

- Compatible with both horizontal and vertical installation
- Static pressure up to 0.8 in.w.g(for all models)
- Static pressure setting stages: 8
- Refrigerant leakage detection sensor
- Constant airflow
- Built-in pump
- i-clean
- Fan speed stages: 1~100%
- WiFi capability: through wired controller with built-in WiFi
- OTA(by using wired controller 120N(X6W))
- 2-pin connector(HA/HB) for programmable wired controller
- Multiple control options available:
 - Two way communication wired controller with built-in WiFi:120N(X6W)
 - Wireless remote controller
 - Third-Party 24V Thermostat*

*24V interface is required.