

SUBMITTAL DATA SHEET



Series Name: Cooling Only Acoil Series
 Model Number: MAAHE-H60B-DA-UC/MO1AE-C48B-2A

Air Handler Heat Pump System

Location:	Approval:
Engineer:	Date:
Submitted to:	Construction:
Submitted by:	Unit #:
Reference:	Drawing #:



This combination can't be installed in Southwest US



INDOOR SPECIFICATION

Dimension (W×D×H)	inch	23-1/8 x 22-3/4 x 22-7/8
	mm	588 x 577 x 581
Package (W×D×H)	inch	26-1/8 x 26-1/8 x 29-3/4
	mm	665 x 665 x 755
Net/Gross Weight	lbs	37.2 / 59.9
	kg	16.9 / 27.2

OUTDOOR SPECIFICATION

Compressor Type	ROTARY	
Compressor Model	KTQ420D1UMU	
Refrigerant	R454B	
Refrigerant Oil Charge(mL)	1400	
Refrigerant Oil	VG74	
Outdoor Air Flow (Max) (CFM)	3,037	
Outdoor Noise Level (dBA)	65	
Dimension (W×D×H)	inch	38-9/16 x 16-3/8 x 38-3/8
	mm	980 × 415 × 975
Package (W×D×H)	inch	45-1/16 x 19-11/16 x 42-1/2
	mm	1145 × 500 × 1080
Net/Gross Weight	lbs	187.17/218.48
	kg	84.9/99.1

EFFICIENCY

Cooling		Heating	
SEER2	14.6	HSPF2-4	/
EER2	9.0	COP	/

PERFORMANCE of Cooling

Cooling (Btu/hr)	
Rated Capacity	47000
Min/Max Capacity	13600~50,000
Moisture Removal(L/h)	6.1
Standard Operating Range(°F/°C)	-13~122(-25 ~ 50)
Rated Cooling Conditions:	Indoor: 80°F DB/67°F WB Outdoor: 95°F DB/75°F WB

PERFORMANCE of Heating

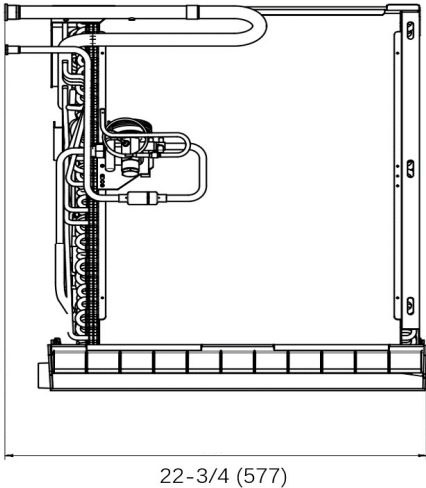
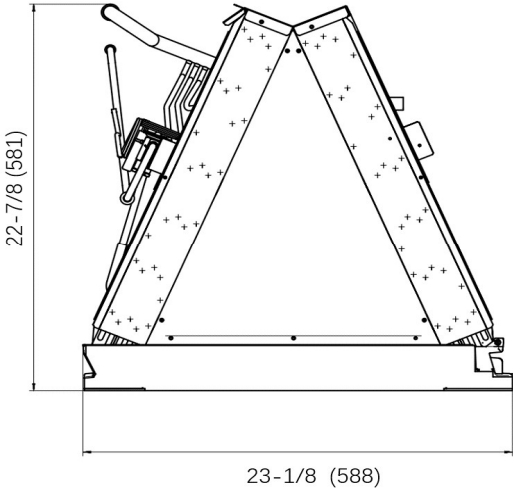
Heating (Btu/hr)	
1. @ 47°F Rated	/
2. @ 47°F Min/Max Capacity	/
3. @ 17°F Rated	/
4. @ 5°F Rated: Capacity / COP	///
5. @ 5°F Max: Capacity	/
Standard Operating Range(°F/°C)	/(/)
1. Rated Heating Conditions:	Indoor: 70°F DB/60°F WB Outdoor: 47°F DB/43°F WB
2. Rated Heating Conditions:	Indoor: 70°F DB/60°F WB Outdoor: 17°F DB/15°F WB
3. Heating Conditions, Compressor Operating at Max. Frequency	Indoor: 70°F DB/60°F WB Outdoor: 5°F DB/5°F WB

ELECTRICAL

Indoor Power Supply	24V,60Hz,1Ph
Indoor MCA 115V/(208/230V)	/
Indoor MOP	/
Outdoor Power Supply	208/230,60Hz,1Ph
Outdoor MCA	36
Outdoor MOP	40
Communication Wiring	AWG 20-2
Compressor RLA	27
Outdoor Fan Motor RLA	2
Outdoor Fan Motor W	/
Indoor Fan Motor RLA	/
Indoor Fan Motor W	/
System Power Input @ Cooling (W)	5111(1300-5700)
System Power Input @ Heating (W)	/(/)
MCA: Min. circuit amps (A)	MOCOP: Max. over current protection (A)
RLA: Rated load amps (A)	W: Fan motor rated output (W)

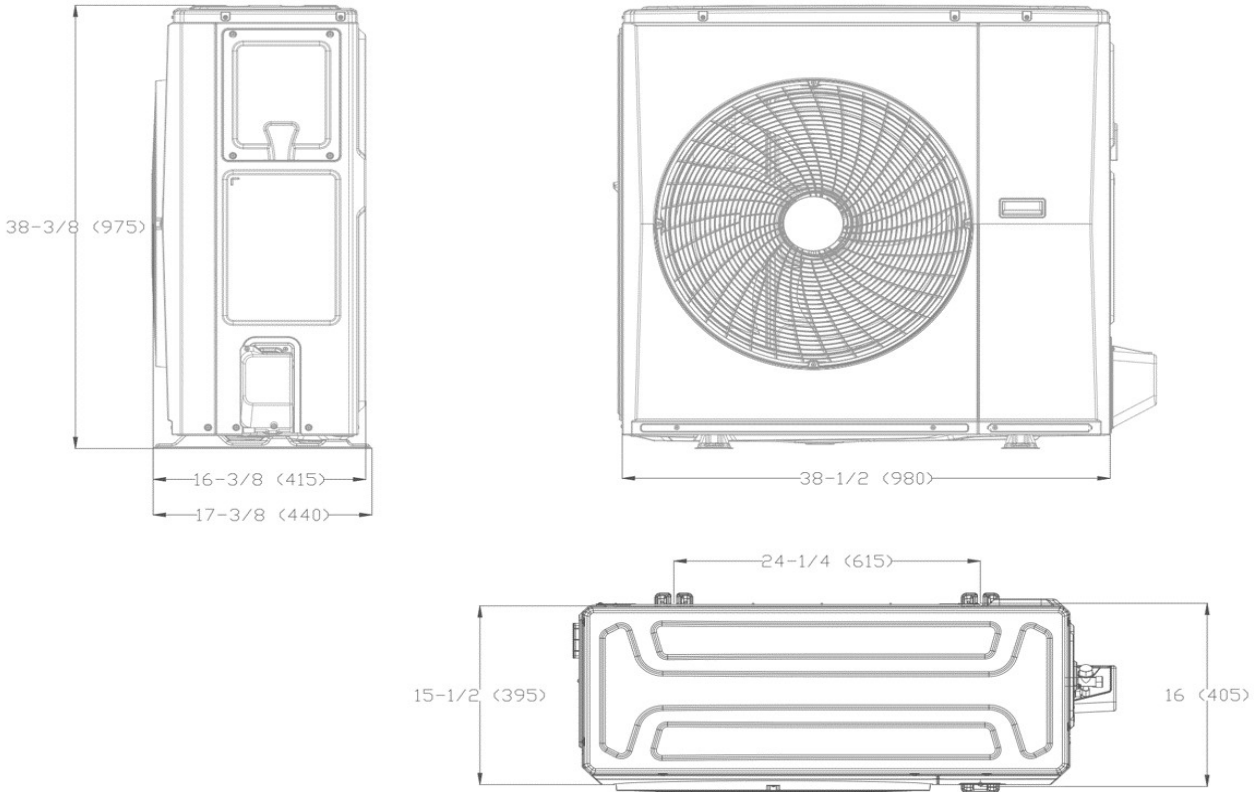
PIPING

Throttle type(Indoor)	TXV
Throttle type(Outdoor)	/
Liquid Size	9.52mm(3/8in)
Gas Size	19mm(3/4in)
Max. Piping Length(ft/m)	246(75)
Max. Height Difference(ft/m)	98(30)
Max. Pre-charged Length(ft/m)	24.6(7.5)
Refrigerant Pre-charged Amount(oz/kg)	141.10(4.00)
Additional Charge of Refrigerant(oz/ft)/(g/m)	0.7(65)
Connection Method	Flared

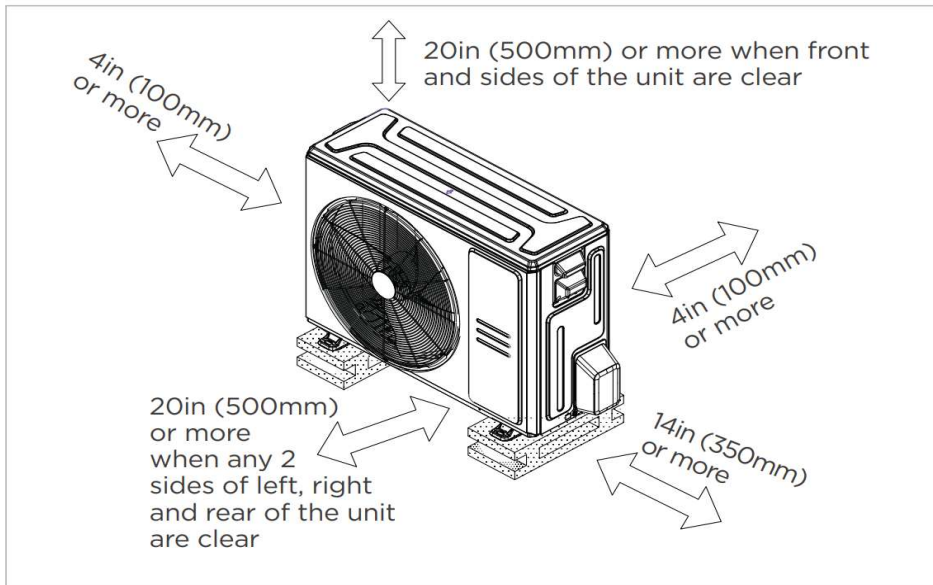


Outdoor Unit Dimension

Unit:inch(mm)



Installation Instruction For Outdoor Unit



Meets all spatial requirements shown in Installation Clearance Requirements above.

Features

- Multi-position installation: horizontal(left or right), vertical(up or down)
- Aluminum Coil
- R454B refrigerant sensor
- Easy Maintenance
- Multiple control options available:
 - Two-way communication wired controller with built-in Wi-Fi:120N(X6W)
 - Third-Party 24V Thermostat