

# SUBMITTAL DATA SHEET



Series Name: Electric Heater  
Model Number: EAH-03E(UL)

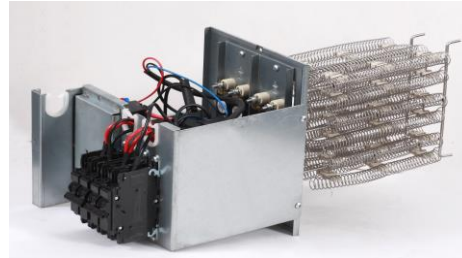
## Heater

Location: \_\_\_\_\_  
 Engineer: \_\_\_\_\_  
 Submitted to: \_\_\_\_\_  
 Submitted by: \_\_\_\_\_  
 Reference: \_\_\_\_\_

Approval: \_\_\_\_\_  
 Date: \_\_\_\_\_  
 Construction: \_\_\_\_\_  
 Unit #: \_\_\_\_\_  
 Drawing #: \_\_\_\_\_

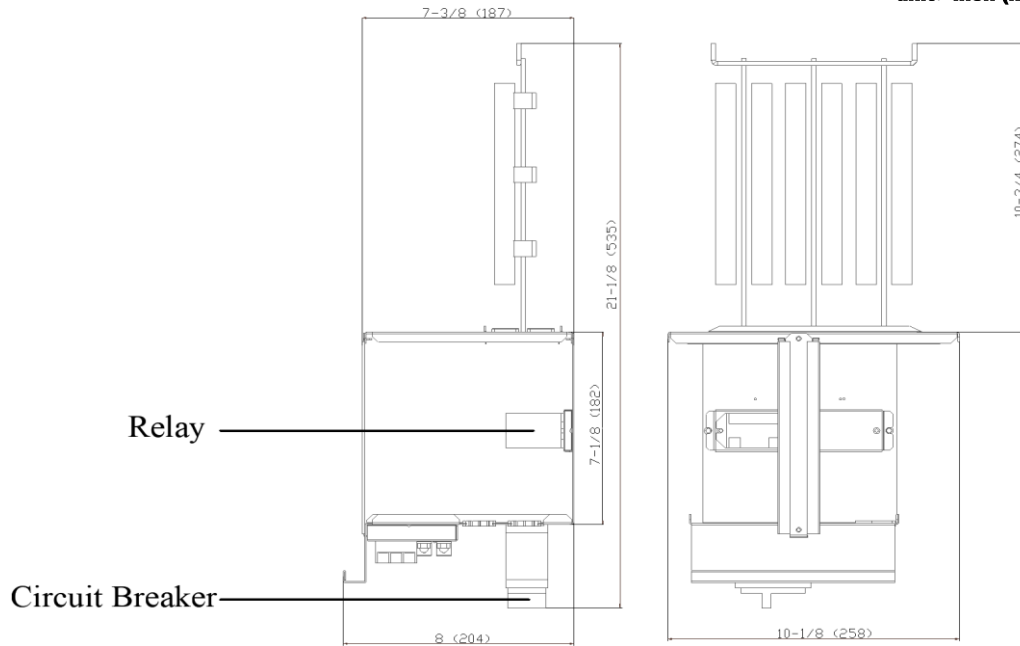
## SPECS

<b>Code</b>	22013201000045	
<b>Model</b>	EAH-03E(UL)	
<b>Normal Operational Voltage</b>	(V, Ph, Hz)	208 / 230, 1, 60
<b>Current</b>	A	10.8 / 12
<b>Heat Power</b>	kW	2.25 / 2.75
<b>MCA</b>	A	14 / 16
<b>MAX. FUSE</b>	A	15 / 20
<b>Heater dimension</b>	mm	535 x 258 x 204
	inch	21-1/8 x 10-1/8 x 8
<b>Packaging dimension</b>	mm	610 x 365 x 260
	inch	24 x 14-3/8 x 10-1/4
<b>Net Weight</b>	kg	2.6
	lbs	5.3
<b>Gross Weight</b>	kg	5.1
	lbs	11.2





## Heater dimension

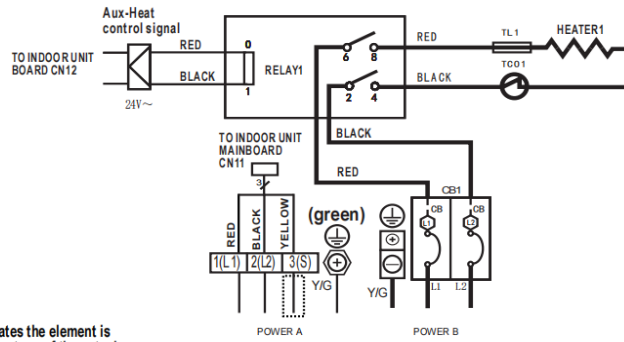
unit: Inch (mm)




Wiring diagram

### 3KW/5KW HEAT KIT

-  : THERMAL LINK
-  : THERMAL CUT-OUT, SELF-RESETTING



NOTE1: ;  
 This symbol indicates the element is optional, The wiring type of the actual unit shall prevail.

NOTE2:  
 PLEASE ATTACH THE NAMEPLATE TO THE COVER OF THE ELECTRIC CONTROL BOX. ALL THE ROUND HOLES LOCATED ON THE PLATE REPRESENT NUMBERS. PLEASE REFER TO THE INSTALLATION MANUAL FOR DETAILS.

NOTE3: TO BE WIRED IN ACCORDANCE WITH NEC AND LOCAL CODES.

NOTE4: POWER A,B,C,D ARE DIFFERENT POWERS.

Electric heating is only applicable to 208-230V.

Round hole number	Relay number	Round hole number	Circuit breaker number
○	RELAY 1	○	CB1
○○			
○○○			
○○○○			
○○○○○			

